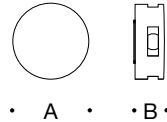


Tools Required:

- Medium philips head screwdriver
- 3mm hex head screwdriver
- T20 torx head screwdriver

Overview:

LED Watts: 20.0W
 Controllability: 0-10V, Triac, ELV dimmable
 Weight: 4.0 lbs.



Dimensions

A: 7 1/8"
 B: 2 7/8"



Notice to Installer:

1. BEGA luminaires may be damaged if connected to conduit systems containing water - Article 300-5G of National Electric Code requires that "Conduits or raceways through which moisture may contact energized live parts shall be sealed or plugged at either or both ends".
2. Mounts directly to standard recessed 4" octagonal wiring box (by others) using BEGA provided mounting kit.
3. In conformance with U.L. Standards 1958, a silicone-based sealant MUST be used between the luminaire and mounting surface.
4. LEDs are high-quality electronic components! Please avoid touching the LED module(s) during installation.

Installation:

1. Attach the strap from the mounting kit to the recessed 4" octagonal wiring box (by others) using the (2) philips head screws provided (Figure 1).
2. Detach the round wall mount casting from the luminaire by loosening the 3mm set screw on the main luminaire housing making sure that the driver wires are still routed through the wireway (Figure 2).
3. Make supply wiring and luminaire wiring connections inside the recessed 4" octagonal wiring box:
 MAIN VOLTAGE SUPPLY WIRE TO BLACK DRIVER WIRE
 NEUTRAL (COMMON) SUPPLY WIRE TO WHITE DRIVER WIRE
 GREEN GROUND WIRE TO LUMINAIRE GREEN GROUND WIRE
 0-10V Dimming (if applicable):
 DIMMING CONTROL WIRE (+) TO PURPLE DRIVER DIM CONTROL WIRE
 DIMMING CONTROL WIRE (-) TO GREY DRIVER DIM CONTROL WIRE
4. Place a small bead of silicone sealant around the round wall mount casting where it will contact the mounting surface.
5. Attach round wall mount casting to the mounting strap using the (2) T20 torx screws provided making sure silicone sealant is present where the casting meets the mounting surface (Figure 1).
6. Place the main luminaire housing over the round wall mount casting, rotate to desired position, and secure in place by tightening the 3mm set screw.

Figure 1: Mounting kit detail

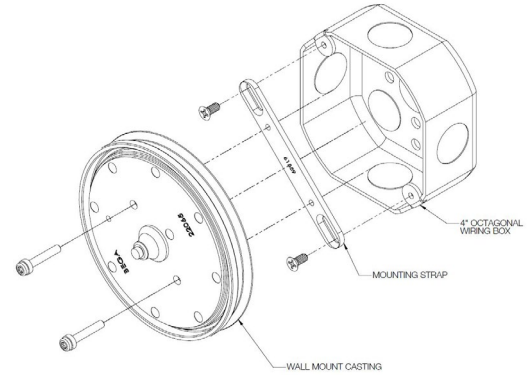
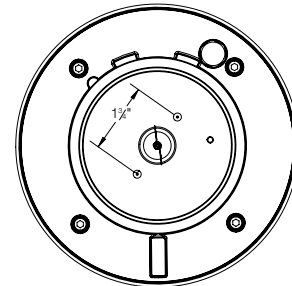


Figure 2: Luminaire back with round wall mount casting



Accessories

Please refer to the appropriate accessory installation sheet for further instruction when applicable.

Maintenance:

Clean regularly with solvent-free cleaner removing dirt and debris. Do not use high pressure cleaners.

Replacement Parts

See label inside of fixture for LED replacement part number.

Consult factory for all other replacement components.

Product Safety Warnings:

THIS PRODUCT MUST BE INSTALLED IN ACCORDANCE WITH THE APPLICABLE INSTALLATION CODE BY A PERSON FAMILIAR WITH THE CONSTRUCTION AND OPERATION OF THE PRODUCT AND THE HAZARDS INVOLVED. SUITABLE FOR WET LOCATIONS. MIN 90°C SUPPLY CONDUCTORS.

CE PRODUIT DOIT ÊTRE INSTALLÉ SELON LE CODE D'INSTALLATION PERTINENT, PAR UNE PERSONNE QUI CONNAÎT BIEN LE PRODUIT ET SON FONCTIONNEMENT AINSI QUE LES RISQUES INHÉRENTS. CONVIENT AUX EMPLACEMENTS MOUILLÉS.

LES FILS D'ALIMENTATION 90°C MIN.