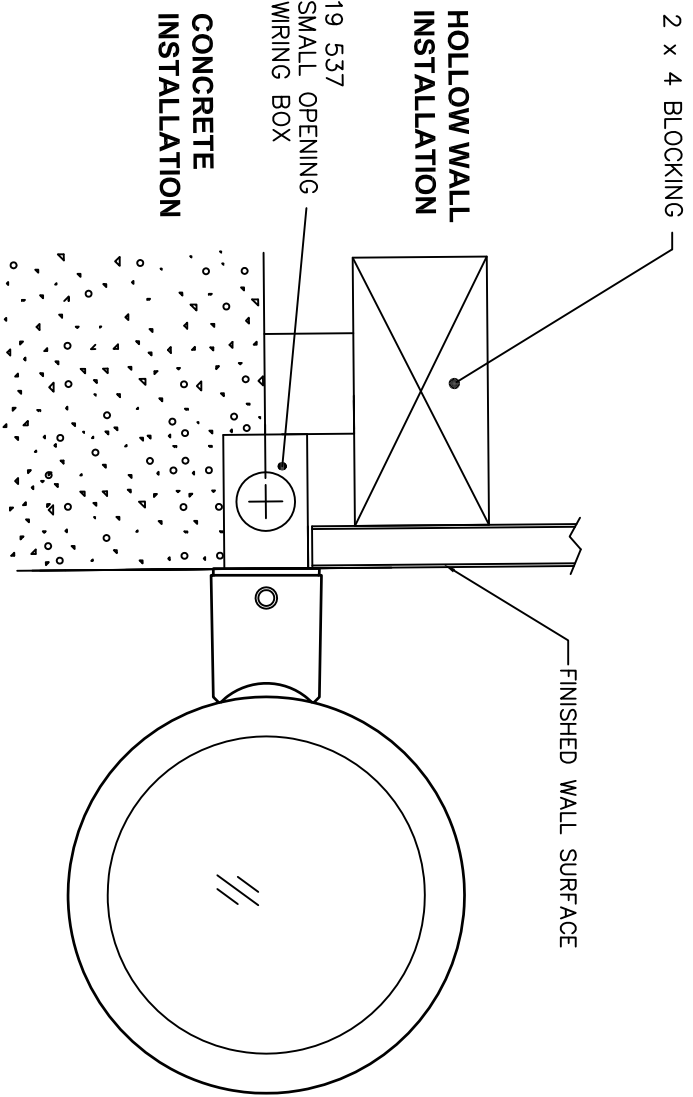
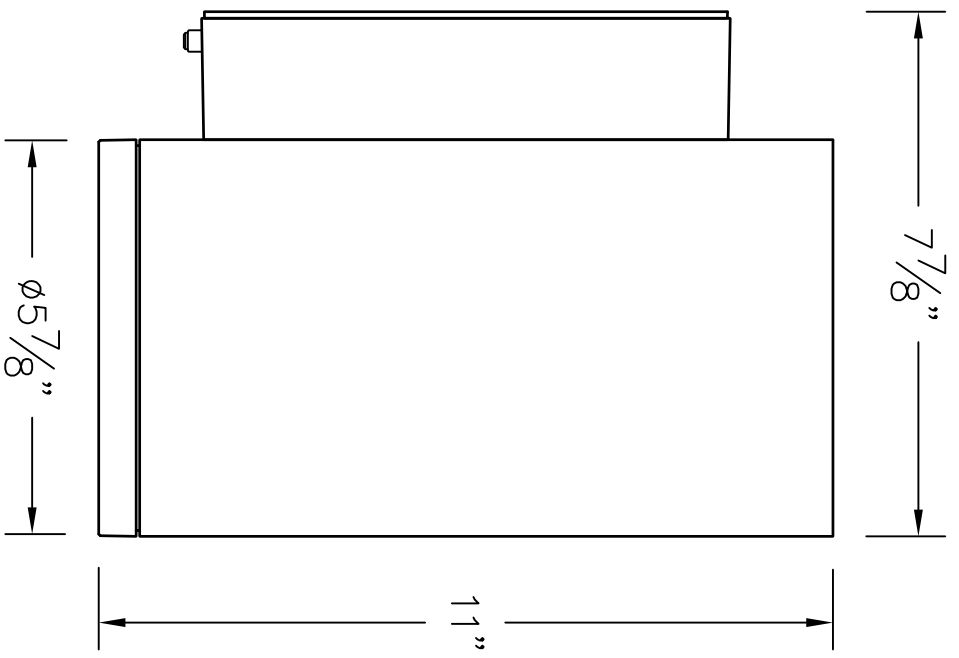
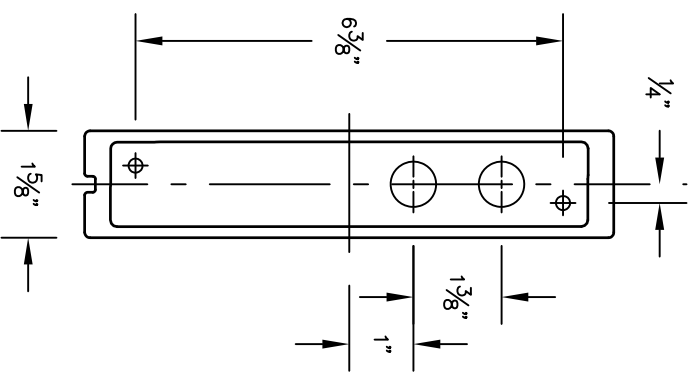


NOTE: LUMINAIRE # 24 035 – SEE SPECIFICATIONS



MOUNTING DETAIL



TYPE: \_\_\_\_\_

<b>SUBMITTAL APPROVAL</b>			CAT NO.: 24 035		<b>BEGA</b>
			PROJECT: -		
APPROVED BY: _____	LOCATION: -		1000 Bega Way		
SIGNED: _____	DATE: _____	DRAWN: RA		DATE: 2/7/2018	
REV.	DATE	DESCRIPTION	1000 Bega Way Carpinteria, Ca. 93013 (805) 684-0533		

This print contains confidential information which is the property of BEGA U.S. By acceptance this information, the borrower agrees that it will not be used for any other purpose other than that which is was loaned.