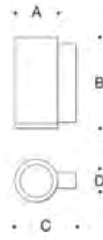


Tools Required:

- 3mm hex key
- Phillips medium screwdriver



Dimensions

- A:** 4 3/8"
- B:** 9"
- C:** 6-1/4"
- D:** 1-5/8"



Protection Class: IP65

Weight: 4.4 lbs.

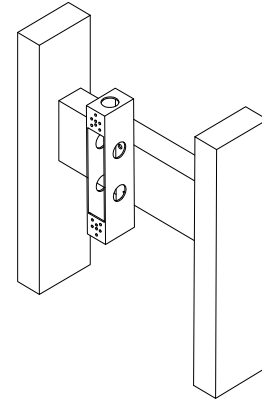
Notice to Installer for 24 034:

1. See page 2 for specific product safety warnings.
2. Attachment directly to vertically oriented linear wiring box (19 537 provided).
3. Wiring box needs to be recessed into wall and must be flush with the finished surface.
4. In conformance with UL Standard 1598, a silicone based sealant **MUST** be used between luminaire and supporting wall.

19 537 - wiring box installation:

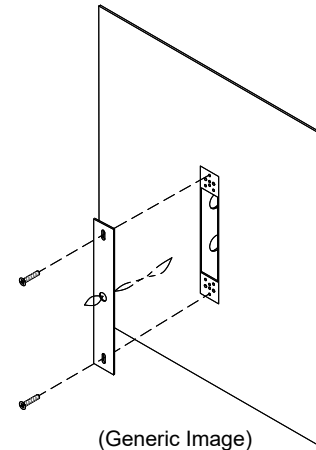
- 1. Hollow (stud) wall construction** - Secure wiring box to wood or metal vertical blocking. Connect conduit to wiring box (if needed) and pull wires for electrical connections to be made later.
- 2. Poured concrete construction** - Attach wiring box to the concrete form. Connect conduit to wiring box (if needed) and pull wires for electrical connections to be made later. Pour concrete and remove form.

IMPORTANT: Do not pour concrete directly on to box!



24 034 - Installation:

1. Loosen 3mm set screw on underside of mounting base and remove mounting plate.
2. Route luminaire wires through mounting plate and into linear wiring box.
3. Make supply wiring and luminaire wiring connections inside the small opening linear wiring box:
 MAIN VOLTAGE SUPPLY WIRE TO BLACK LUMINAIRE WIRE
 NEUTRAL (COMMON) SUPPLY WIRE TO WHITE LUMINAIRE WIRE
 GREEN GROUND WIRE TO GREEN LUMINAIRE WIRE.
 Dimming (if applicable):
 DIMMING CONTROL WIRE (+) TO POSITIVE LUMINAIRE DIM CONTROL WIRE
 DIMMING CONTROL WIRE (-) TO NEGATIVE LUMINAIRE DIM CONTROL WIRE
4. Mount luminaire mounting plate to 19 537 linear wiring box (provided).
5. Place small bead of silicone around the edge of the luminaire back plate, where it meets the finished wall.
6. Place luminaire over mounting plate and tighten set screw to secure.



(Generic Image)

Relamping/Maintenance

Clean luminaire regularly with solvent-free cleansers from dirt and debris. Do not use high pressure cleaners.

Lamp: 12.1W LED

Accessories

Please refer to the appropriate accessory installation sheet for further instruction when applicable.

- Narrow opening wiring box (Included) 19 537
- Surface mounted linear wiring box 79 547

Replacement Parts

Description	Part No
LED Driver (120-277V)	(1X) 75987
LED Module (2700K)	(1X) LED-0733/827
LED Module (3000K)	(1X) LED-0733/830
LED Module (3500K)	(1X) LED-0733/835
LED Module (4000K)	(1X) LED-0733/840
Lens	(1X) 140211
Lens Gasket	(1X) 830564

In the interest of product improvement, BEGA reserves the right to make technical changes without notice.

Product Safety Warnings:

THIS PRODUCT MUST BE INSTALLED IN ACCORDANCE WITH THE APPLICABLE INSTALLATION CODE BY A PERSON FAMILIAR WITH THE CONSTRUCTION AND OPERATION OF THE PRODUCT AND THE HAZARDS INVOLVED. SUITABLE FOR WET LOCATIONS.

MIN 60°C SUPPLY CONDUCTORS.

CE PRODUIT DOIT ÊTRE INSTALLÉ SELON LE CODE D'INSTALLATION PERTINENT, PAR UNE PERSONNE QUI CONNAÎT BIEN LE PRODUIT ET SON FONCTIONNEMENT AINSI QUE LES RISQUES INHÉRENTS. CONVIENT AUX EMPLACEMENTS MOUILLÉS.

LES FILS D'ALIMENTATION 60°C MIN.
