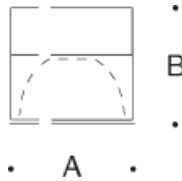


Tools Required:

- Flat head screw driver medium
- Phillips head screw driver medium



Dimensions

- A: 4"
- B: 4-1/4"



Weight: 1.54 lbs.

Notice to Installer for 23 619:

1. See page 2 for specific product safety warnings.
2. Select the desired trim ring or housing material finish by using appropriate code number as suffix.
 - 23 619.1 - (.1) Brilliant white
 - 23 619.2 - (.2) Stainless steel
 - 23 619.3 - (.3) Polished aluminum
3. Mounts directly to recessed BEGA 19 538 small opening wiring box.

NOTE: DO NOT USE 19 538 MOUNTING STRAP.
4. LEDs are high-quality electronic components! Please avoid touching the light output opening of the LED directly during installation.

23 619 - installation:

1. Remove lens from luminaire housing by unscrewing the lens counter-clockwise.
2. Undo quick disconnect from LED wires and driver wires.
3. Remove adapter plate assembly from luminaire base by unscrewing (2) hex head nuts on interior of main fixture casting.
4. Reattach quick disconnect between LED and driver wires.

NOTE: Make sure LED wires are routed through adapter plate before connecting.

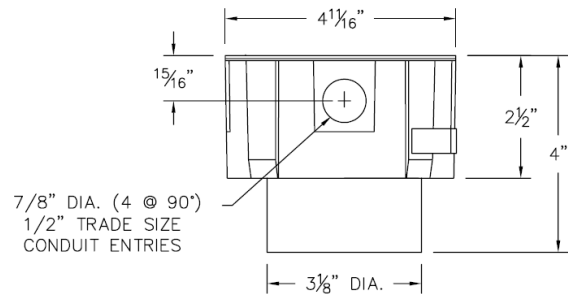
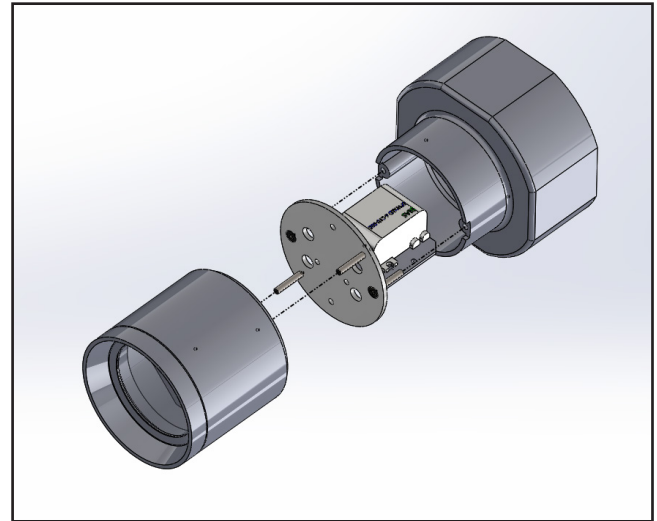
5. Make supply wiring and luminaire wiring connections inside the 538 wiring box:
 - MAIN VOLTAGE SUPPLY WIRE TO BLACK LUMINAIRE WIRE
 - NEUTRAL (COMMON) SUPPLY WIRE TO WHITE LUMINAIRE WIRE
 - GREEN GROUND WIRE TO GREEN LUMINAIRE WIRE

Dimming (if applicable):

DIMMING CONTROL WIRE (+) TO POSITIVE DRIVER DIM CONTROL WIRE
 DIMMING CONTROL WIRE (-) TO NEGATIVE DRIVER DIM CONTROL WIRE

6. Mount luminaire housing directly to 19 538 small opening wire box with 3/4" long phillips head screws (provided).
5. Replace luminaire lens by screwing into luminaire housing clockwise. Make sure gasket is seated properly.

Figure 1 - Generic Image



WIRING BOX DETAIL

Relamping/Maintenance

Unscrew glass by turning counter-clockwise. Clean glass and luminaire using only solvent-free cleansers. Replace glass, making sure gasket is seated properly.

Accessories

Please refer to the appropriate accessory installation sheet for further instruction when applicable.

Small opening wire box 19 538

Replacement Parts

Description	Part No
Lens (Internal)	11307210RG
Lens/Gasket	11307441MRG
LED driver (120-277V)	76066
LED module (3000K)	LED-0349/930
LED module (4000K)	LED-0349/940

Lamp: 3.0W LED

In the interest of product improvement, BEGA reserves the right to make technical changes without notice.

Product Safety Warnings:

THIS PRODUCT MUST BE INSTALLED IN ACCORDANCE WITH THE APPLICABLE INSTALLATION CODE BY A PERSON FAMILIAR WITH THE CONSTRUCTION AND OPERATION OF THE PRODUCT AND THE HAZARDS INVOLVED. SUITABLE FOR DAMP LOCATIONS.

MIN 90°C SUPPLY CONDUCTORS.

CE PRODUIT DOIT ÊTRE INSTALLÉ SELON LE CODE D'INSTALLATION PERTINENT, PAR UNE PERSONNE QUI CONNAÎT BIEN LE PRODUIT ET SON FONCTIONNEMENT AINSI QUE LES RISQUES INHÉRENTS. CONVIENT AUX EMPLACEMENTS HUMIDES.

LES FILS D'ALIMENTATION 90°C MIN.