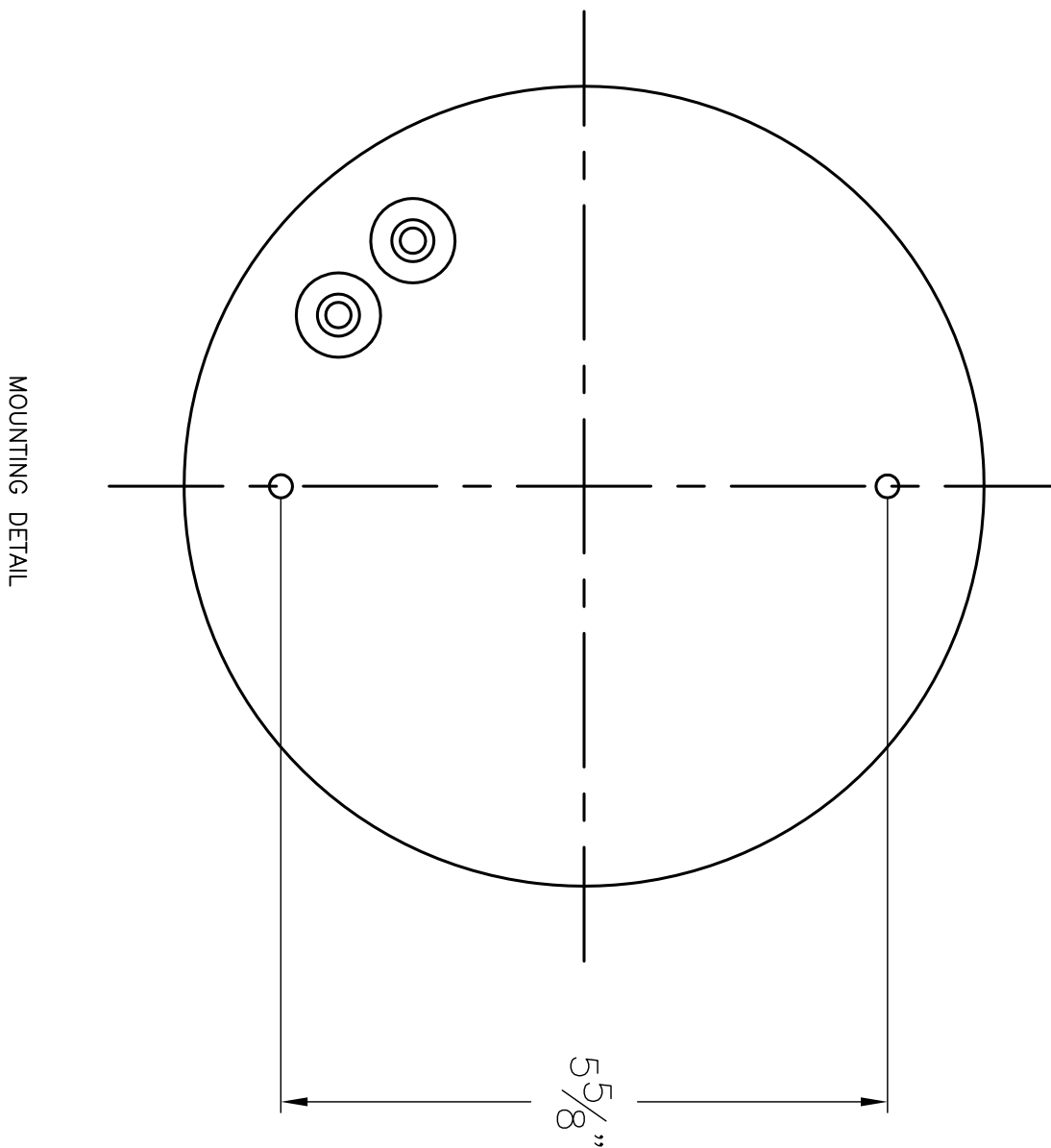


NOTES:
 1. LUMINAIRE # 23 576 - SEE SPECIFICATIONS;



TYPE: _____

SUBMITTAL APPROVAL

APPROVED BY: _____

SIGNED: _____ DATE: _____

CAT NO.: 23 576

PROJECT: -

LOCATION: -

DRAWN: AV DATE: 11/21/14 File Name: 23576.DXF

BEGA

1000 Bega Way
 Carpinteria, Ca. 93013
 (805) 684-0533

REV.	DATE	DESCRIPTION

This print contains confidential information which is the property of BEGA U.S. By acceptance this information, the borrower agrees that it will not be used for any other purpose other than that which is was loaned.