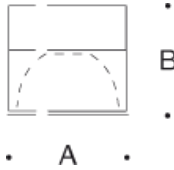


Tools Required:

- Flat head screw driver medium
- Phillips head screw driver medium



Dimensions

- A:** 7-1/2 "
- B:** 6-1/8 "



Weight: 4.41 lbs.

Notice to Installer for 23 576:

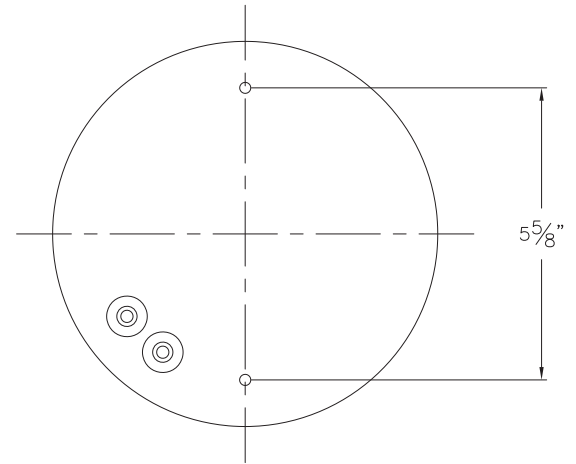
1. See page 2 for specific product safety warnings.
2. Select the desired trim ring or housing material finish by using appropriate code number as suffix.
 - 23 576.1 - (.1) Brilliant white
 - 23 576.2 - (.2) Stainless steel
 - 23 576.3 - (.3) Polished aluminum
3. Mounts directly to wall OVER standard recessed 4" octagonal wiring box.
4. LEDs are high-quality electronic components! Please avoid touching the light output opening of the LED directly during installation.

23 576 - installation:

1. Remove lens from luminaire housing by unscrewing the lens counter-clockwise.
2. Feed luminaire wires through base of luminaire housing.
3. Make supply wiring and luminaire wiring connections inside the wiring box:
 - MAIN VOLTAGE SUPPLY WIRE TO BLACK LUMINAIRE WIRE
 - NEUTRAL (COMMON) SUPPLY WIRE TO WHITE LUMINAIRE WIRE
 - GREEN GROUND WIRE TO GREEN LUMINAIRE WIRE

Dimming (if applicable):

- DIMMING CONTROL WIRE (+) TO POSITIVE DRIVER DIM CONTROL WIRE
 - DIMMING CONTROL WIRE (-) TO NEGATIVE DRIVER DIM CONTROL WIRE
4. Mount luminaire housing directly to wall over standard recessed 4" octagonal wiring box.
 5. Replace luminaire lens by screwing into luminaire housing clockwise. Make sure gasket is seated properly.



MOUNTING DETAIL

Relamping/Maintenance

Unscrew glass by turning counter-clockwise. Clean glass and luminaire using on solvent-free cleansers. Replace glass, making sure gasket is seated properly.

Accessories

Please refer to the appropriate accessory installation sheet for further instruction when applicable.

Replacement Parts

Description	Part No
Lens (Internal)	11304310RG
Lens/Gasket	11304942MRG
LED driver (120-277V)	75987
LED module (3000K)	LED-0328/930
LED module (4000K)	LED-0328/940

Lamp: 19W LED

In the interest of product improvement, BEGA reserves the right to make technical changes without notice.

Product Safety Warnings:

THIS PRODUCT MUST BE INSTALLED IN ACCORDANCE WITH THE APPLICABLE INSTALLATION CODE BY A PERSON FAMILIAR WITH THE CONSTRUCTION AND OPERATION OF THE PRODUCT AND THE HAZARDS INVOLVED. SUITABLE FOR DAMP LOCATIONS.

MIN 90°C SUPPLY CONDUCTORS.

CE PRODUIT DOIT ÊTRE INSTALLÉ SELON LE CODE D'INSTALLATION PERTINENT, PAR UNE PERSONNE QUI CONNAÎT BIEN LE PRODUIT ET SON FONCTIONNEMENT AINSI QUE LES RISQUES INHÉRENTS. CONVIENT AUX EMPLACEMENTS HUMIDES.

LES FILS D'ALIMENTATION 90°C MIN.