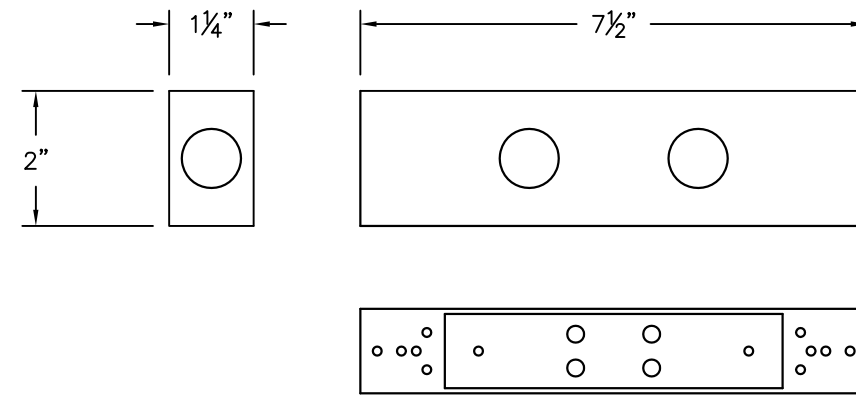
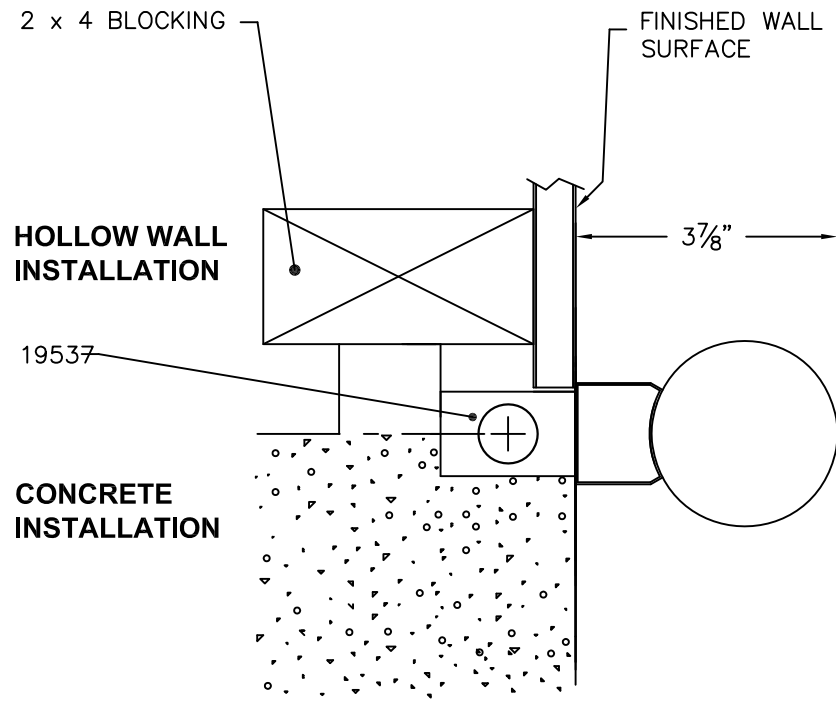


NOTES:
 1. 23 256 - SEE SPECIFICATIONS.



19537 NARROW OPENING WIRING BOX

TYPE: _____

SUBMITTAL APPROVAL

APPROVED BY: _____

SIGNED: _____

DATE: _____

REV.	DATE	DESCRIPTION

CAT NO.: 23 256

PROJECT: _____

LOCATION: _____

DRAWN: RA DATE: 6/24/2016 File Name: 23256.DXF

BEGA

1000 Bega Way
 Carpinteria, Ca. 93013
 (805) 684-0533

This print contains confidential information which is the property of BEGA U.S. By acceptance this information, the borrower agrees that it will not be used for any other purpose other than that which is was loaned.