

Tools Required:

- 3mm hex key
- 4mm hex key
- Phillips head screw driver medium



Dimensions

- A: 8-3/4"
- B: 5-1/8"
- C: 3-7/8"



Protection Class: IP65

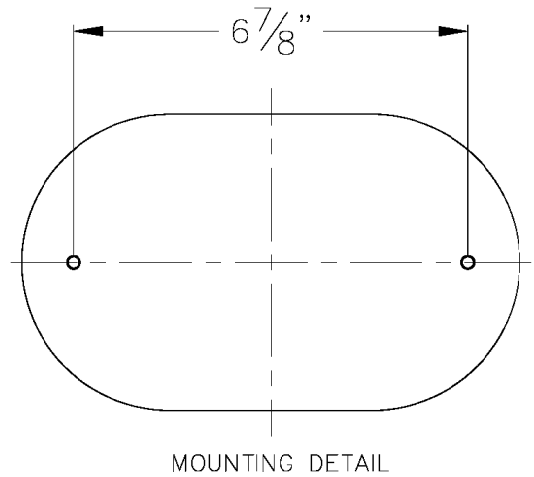
Weight: 2.4 lbs.

Notice to Installer for 22 686:

1. **BEGA luminaires may be damaged if connected to conduit systems containing water- Article 300-5G of National Electric Code requires that "Conduits or raceways through which moisture may contact energized live parts shall be sealed or plugged at either or both ends".**
2. Mounts directly to wall or ceiling OVER standard recessed 4" wiring box (by others).
3. In conformance with U.L. Standards 1598, a silicone-based sealant **MUST** be used between the mounting plate edge and supporting wall.
4. LEDs are high-quality electronic components! Please avoid touching the light output opening of the LED directly during installation.

22 686 - installation:

1. Loosen (4) 3mm hex screws and remove luminaire top and glass with gasket from the luminaire base.
2. Feed luminaire wires through luminaire base, IP nipple (provided).
3. Make supply wiring and luminaire wiring connections in the octagonal wiring box:
 MAIN VOLTAGE SUPPLY WIRE TO BLACK LUMINAIRE WIRE
 NEUTRAL (COMMON) SUPPLY WIRE TO WHITE LUMINAIRE WIRE
 WIRE GREEN GROUND WIRE TO GREEN LUMINAIRE WIRE
 Dimming (if applicable):
 DIMMING CONTROL WIRE (+) TO POSITIVE DRIVER DIM CONTROL WIRE
 DIMMING CONTROL WIRE (-) TO NEGATIVE DRIVER DIM CONTROL WIRE
4. Place a small bead of silicone around the back side of the luminaire base that will come in contact with the finished surface (exterior applications only). Secure luminaire base to ceiling or wall surface using hardware by others (minimum thread size 8-32).
5. Tighten (4) 3mm hex screws evenly to secure luminaire top with luminaire base.



Relamping/Maintenance

No relamping required.

Accessories

Please refer to the appropriate accessory installation sheet for further instruction when applicable.

Replacement Parts

Description	Part No
Lens	11236211
Lens gasket	830495
LED driver (120-277V)	76023
LED module (3000K)	LED-0280/930
LED module (4000K)	LED-0280/940

Lamp: 2.9W LED

In the interest of product improvement, BEGA reserves the right to make technical changes without notice.

Product Safety Warnings:

THIS PRODUCT MUST BE INSTALLED IN ACCORDANCE WITH THE APPLICABLE INSTALLATION CODE BY A PERSON FAMILIAR WITH THE CONSTRUCTION AND OPERATION OF THE PRODUCT AND THE HAZARDS INVOLVED. SUITABLE FOR WET LOCATIONS.

MIN 90°C SUPPLY CONDUCTORS.

CE PRODUIT DOIT ÊTRE INSTALLÉ SELON LE CODE D'INSTALLATION PERTINENT, PAR UNE PERSONNE QUI CONNAÎT BIEN LE PRODUIT ET SON FONCTIONNEMENT AINSI QUE LES RISQUES INHÉRENTS. CONVIENT AUX EMPLACEMENTS MOUILLÉS.

LES FILS D'ALIMENTATION 90°C MIN.
