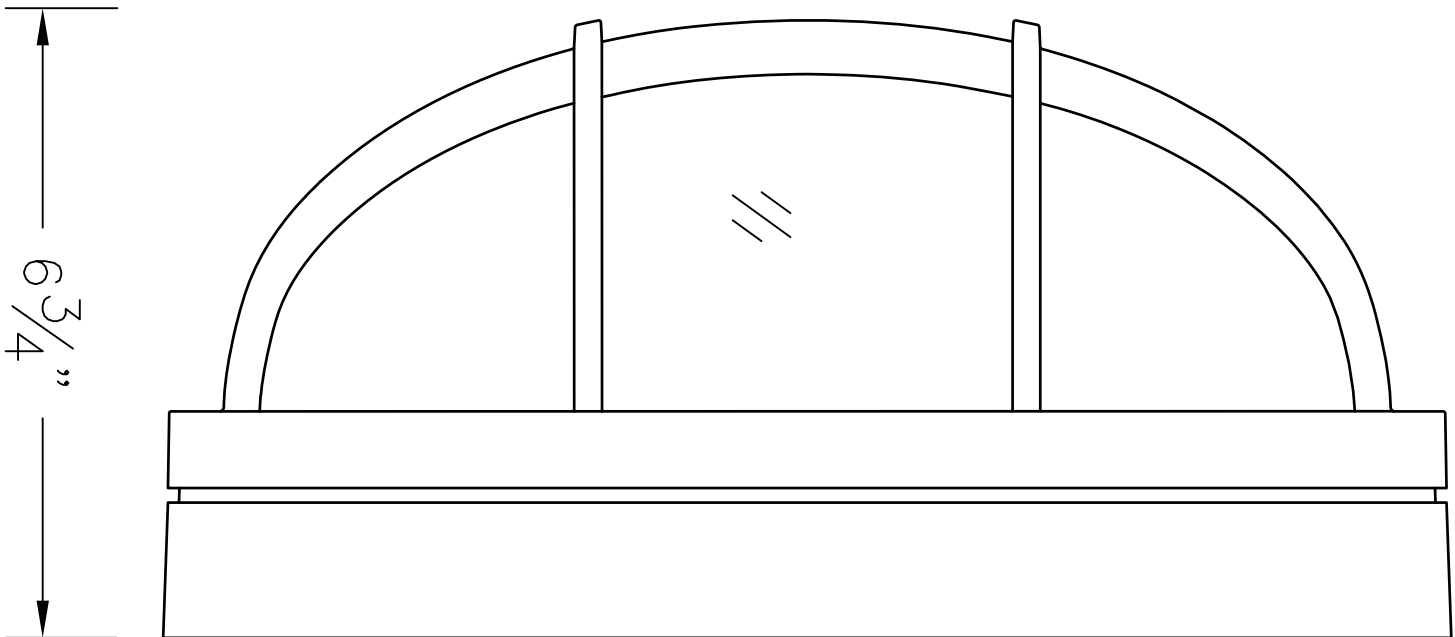
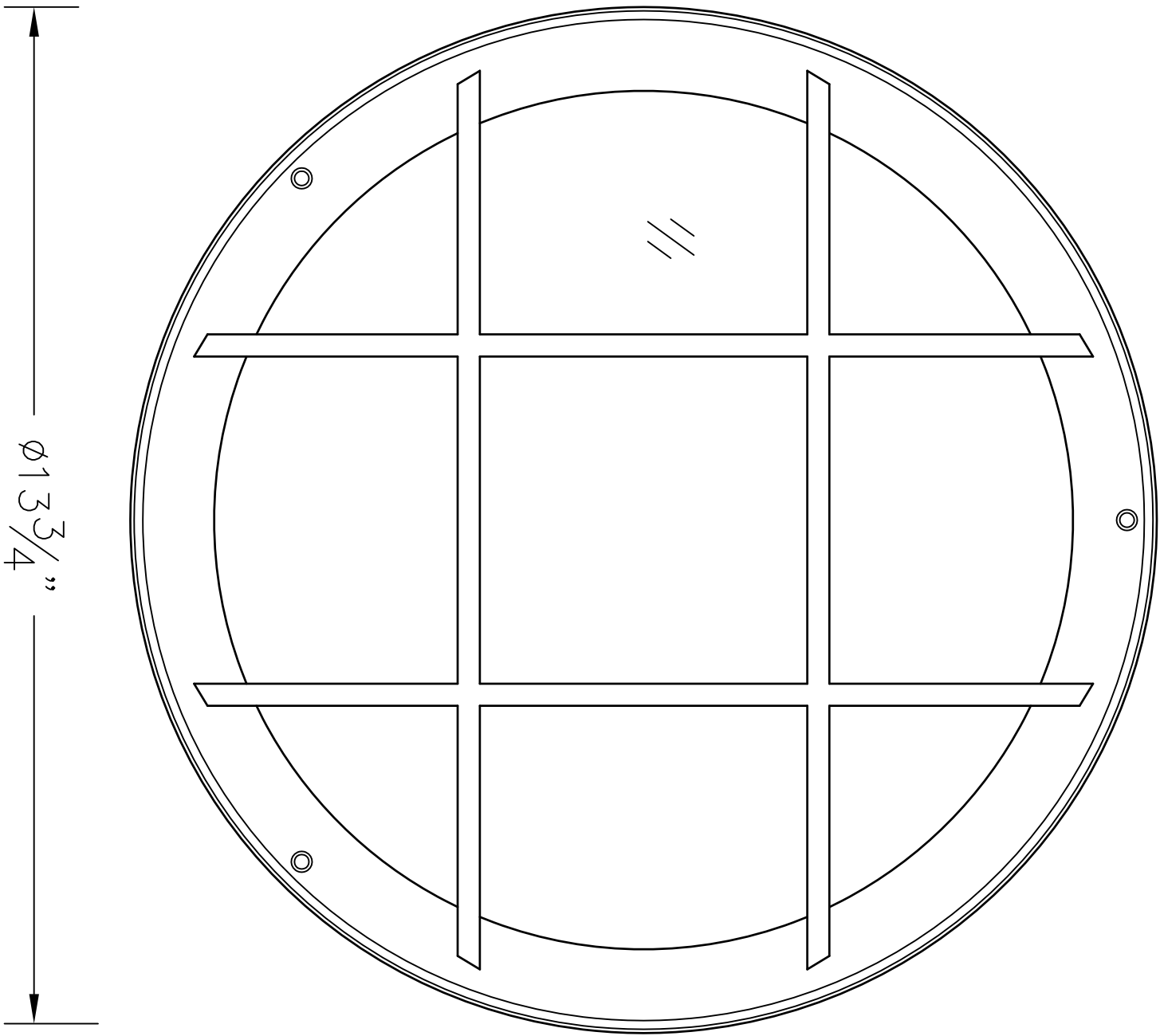


NOTE: LUMINAIRE # 22 467 -- SEE SPECIFICATIONS



TYPE: _____

SUBMITTAL APPROVAL			CAT NO.: 22 467		BEGA
			PROJECT: -		
APPROVED BY: _____	SIGNED: _____		LOCATION: -		
REV.	DATE	DESCRIPTION	DRAWN: RA DATE: 1/30/2018 FILE NAME: 22467.dxf		1000 Bega Way Carpinteria, Ca. 93013 (805) 684-0533

This print contains confidential information which is the property of BEGA U.S. By acceptance this information, the borrower agrees that it will not be used for any other purpose other than that which is was loaned.