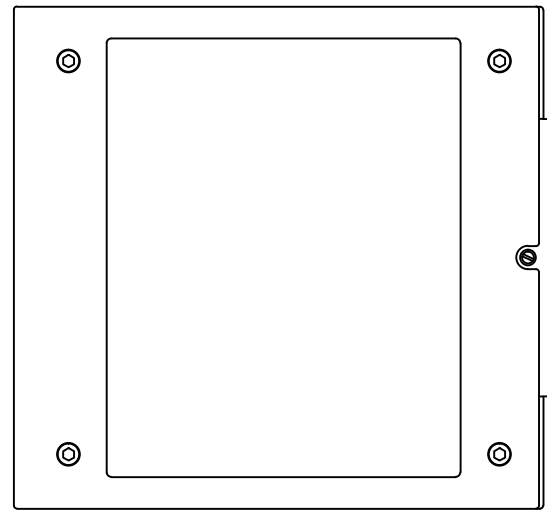


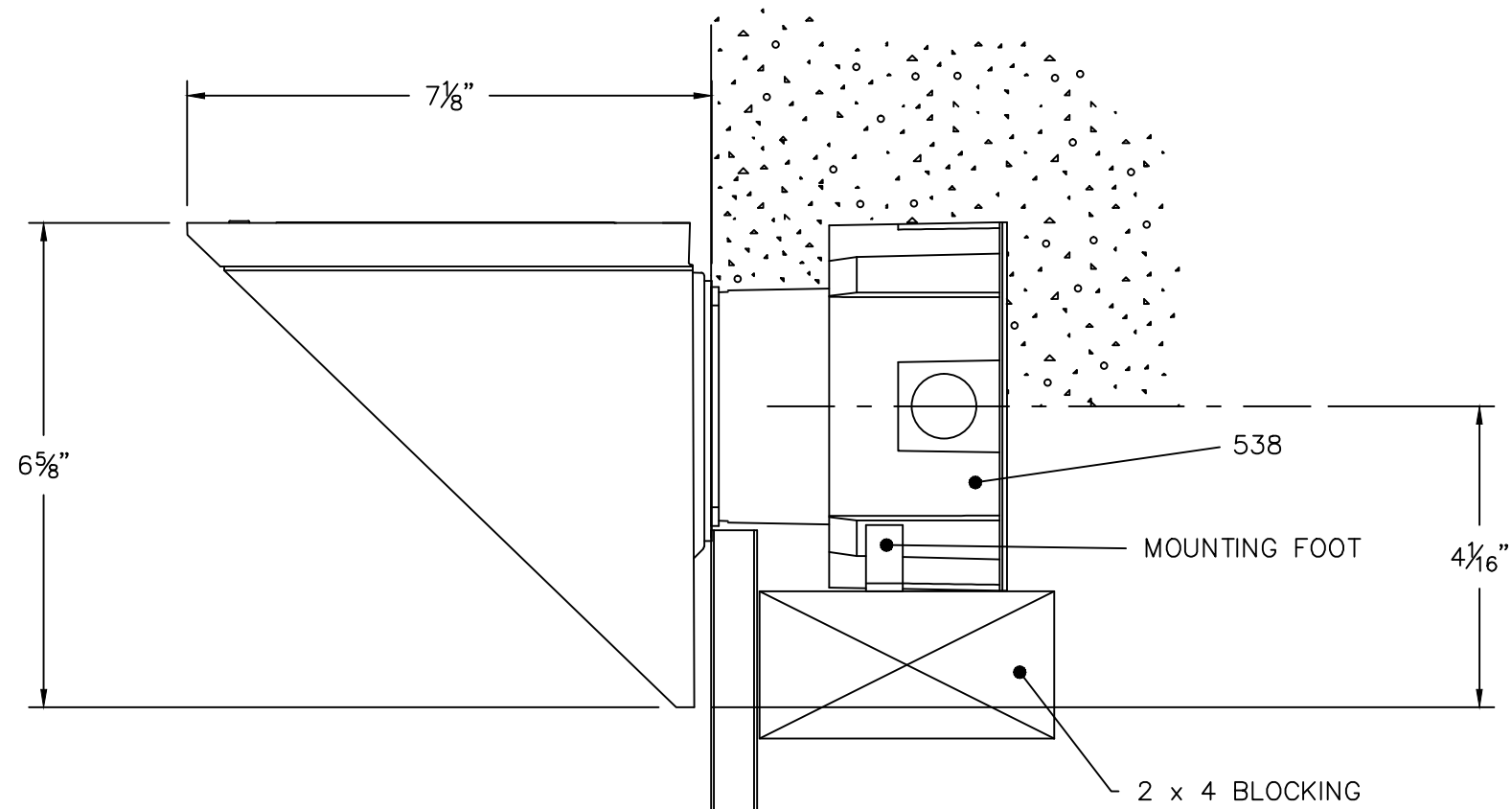
**538 - SMALL OPENING  
WIRING BOX DETAIL**



**NOTES:**

1. LUMINAIRE # 22 449 – SEE SPECIFICATIONS.

**CONCRETE INSTALLATION**



**HOLLOW WALL INSTALLATION**

FINISHED WALL SURFACE

Catalog No.: 22 449  
Description: WALL FLOODLIGHTING LUMINAIRE  
Drawn by: Bob Mc Date: 10/27/15 File Name: 22449.DMX

This print contains confidential information which is the property of BEGA/US. By accepting this information, the borrower agrees that it will not be used for any other purpose other than that