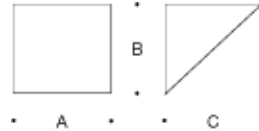


Tools Required:

- 3mm hex key
- 4mm hex key
- Phillips screwdriver medium



Dimensions

- A:** 6-1/2 "
- B:** 6-5/8 "
- C:** 7-1/8 "



Protection Class: IP65

Weight: 4.9 lbs.

Notice to Installer for 22 449:

1. For wall applications only.
2. Mounts directly to 19 538 small opening wiring box (provided). **IMPORTANT: DO NOT MAKE WALL CUTOUT FOR STANDARD WIRING BOX. OPENING MUST BE MADE FOR BEGA 538 WIRING BOX OR CUTOUT WILL BE VISIBLE.**
3. In conformance with UL Standard 1598, a silicone based sealant must be used between luminaire and supporting wall.
4. See installation sheet 99068, supplied, for detailed instructions on 538 small wiring box installation.
5. For up or down orientation.
6. Integral LED module and LED driver supplied by BEGA.

22 449 - installation:

1. Loosen screw at canopy and remove mounting plate.
 2. Feed luminaire wires through back of luminaire mounting plate.
 3. Make supply wiring and luminaire wiring connections in small opening wiring box:
 MAIN VOLTAGE SUPPLY WIRE TO BLACK LUMINAIRE WIRE
 NEUTRAL (COMMON) SUPPLY WIRE TO WHITE LUMINAIRE WIRE
 GREEN GROUND WIRE TO GREEN LUMINAIRE WIRE
- Dimming (if applicable):**
 DIMMING CONTROL WIRE (+) TO POSITIVE DRIVER WIRE
 DIMMING CONTROL WIRE (-) TO NEGATIVE DRIVER WIRE
4. Attach mounting strap to wiring box using (2) 1/2" screws.
 5. Attach mounting plate to mounting strap and wiring box by using (2) 8-32 x 1 1/2" mounting screws.
 6. Place a small bead of silicone around the back side of the luminaire base that will come in contact with the finished wall (exterior applications only).
 7. Mount luminaire to mounting plate and tighten canopy screw to secure luminaire, making sure orientation label is aimed correctly.

Figure 1

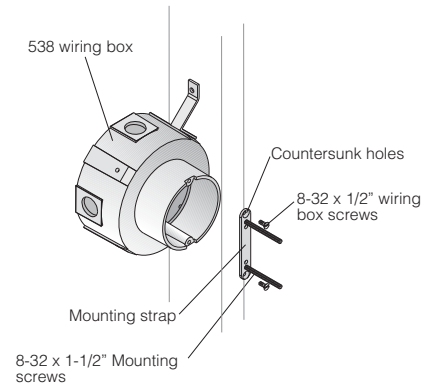
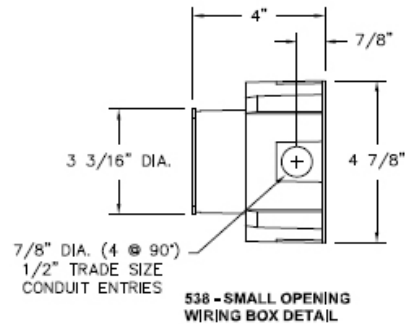


Figure 2



Relamping/Maintenance

No relamping necessary.

Accessories

Please refer to the appropriate accessory installation sheet for further instruction when applicable.

19 538 Small opening wire box

Replacement Parts

Description	Part No
Lens	140390
Lens gasket	830828
Driver (120-277V)	75940
LED Module (3000K)	LED-0313/930
LED Module (4000K)	LED-0313/940

Lamp: 17.9W LED Module

In the interest of product improvement, BEGA reserves the right to make technical changes without notice.

Product Safety Warnings:

THIS PRODUCT MUST BE INSTALLED IN ACCORDANCE WITH THE APPLICABLE INSTALLATION CODE BY A PERSON FAMILIAR WITH THE CONSTRUCTION AND OPERATION OF THE PRODUCT AND THE HAZARDS INVOLVED. SUITABLE FOR WET LOCATIONS.

MIN 60°C SUPPLY CONDUCTORS.

CE PRODUIT DOIT ÊTRE INSTALLÉ SELON LE CODE D'INSTALLATION PERTINENT, PAR UNE PERSONNE QUI CONNAÎT BIEN LE PRODUIT ET SON FONCTIONNEMENT AINSI QUE LES RISQUES INHÉRENTS. CONVIENT AUX EMPLACEMENTS MOUILLÉS.

LES FILS D'ALIMENTATION 60°C MIN.
