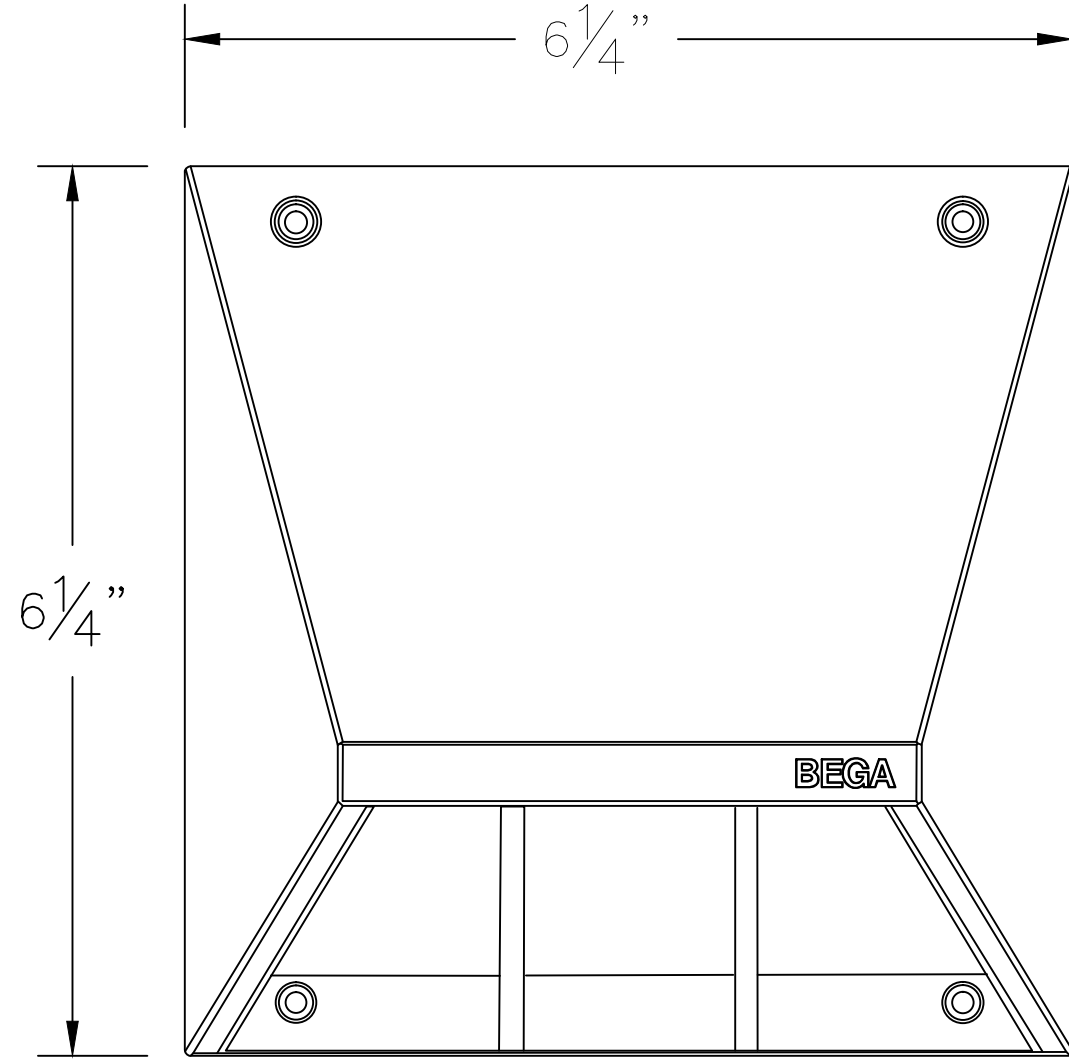


# NOTES:

1. LUMINAIRE 22 292 – SEE SPECIFICATIONS



This print contains confidential information which is the property of BEGA/US. By accepting this information, the borrower agrees that it will not be used for any other purpose other than that which is was loaned.

Catalog No.: 22292

Description: Surface wall with cutoff optics

Drawn by: HA Date: 07/24/2015 File Name: 22292.DXF

SCALE: NONE – DO NOT SCALE DRAWING

**BEGA**

1000 Bega Way  
Carpinteria, Ca. 93013  
(805) 684-0533