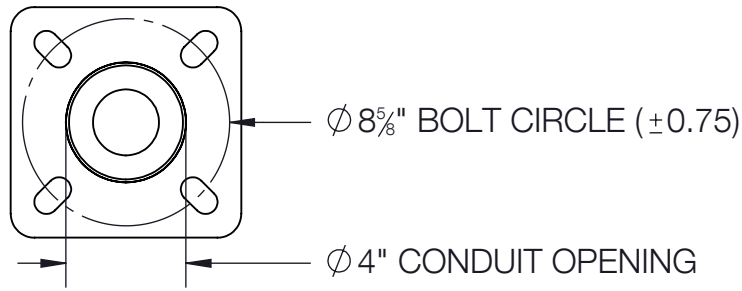


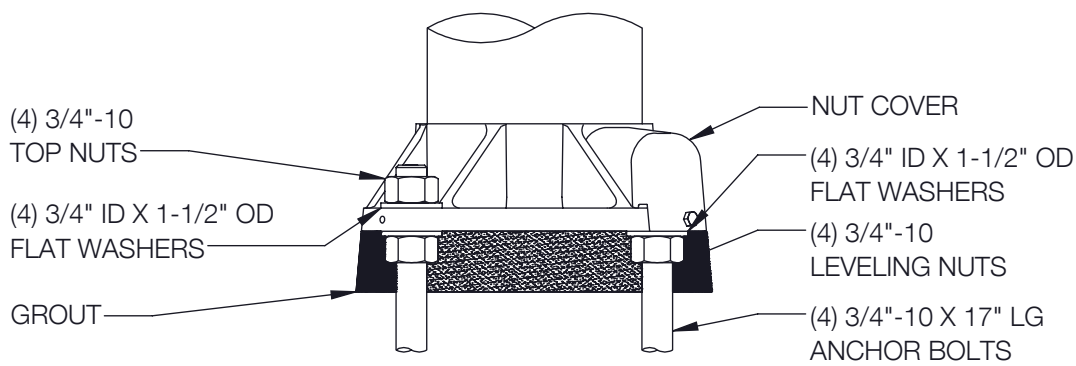
REV	CHANGED BY	DESCRIPTION	DATE



**BASE DETAIL**

STANDARD 0.75 X 17.00 X 3.00  
ANCHOR BOLTS AND TEMPLATE  
SUPPLIED WITH POLE OR IN ADVANCE

ANCHOR PART NUMBER: B20RFTS1-AB



**ANCHOR DETAIL**

NOTE: ADEQUATE DRAINAGE  
MUST BE PROVIDED IN  
FOUNDATION OR GROUT. DO  
NOT SEAL THE BASE OF THE  
POLE.

CAUTION: RAISING OR LOWERING OF THE POLE REQUIRES ADEQUATE  
PREPERATION. DO NOT UNDERESTIMATE THE FORCE REQUIRED TO  
RAISE OR LOWER POLES WITH HEAVY LUMINAIRES AT THE TOP.

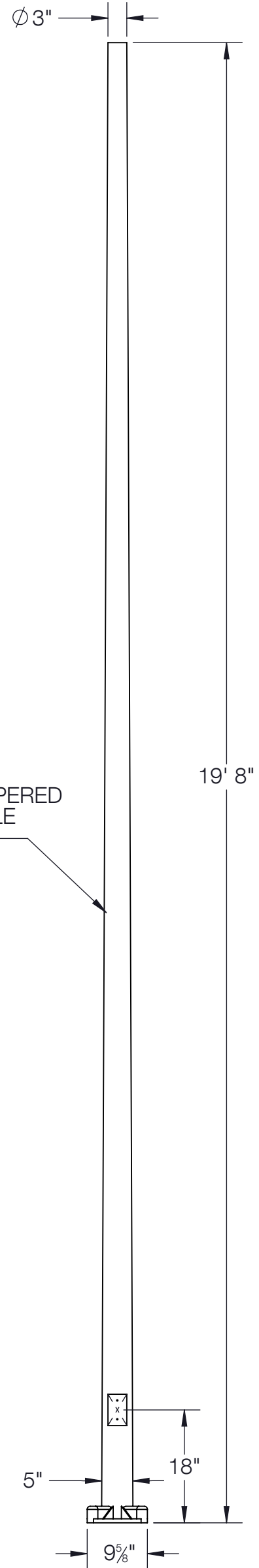
POLE WIND LOAD RATING, ALLOWS FOR 1.3 GUST FACTOR*								
MPH	85	90	100	110	120	130	140	150
EPA**	4.5	3.7	2.5	1.7	1.1	0.7	0.4	0.2

\*PER AASHTO 2013 WIND MAP

\*\*DATA ABOVE ASSUMES GRADE LEVEL INSTALLATION  
AND A MAXIMUM LUMINAIRE WEIGHT OF 62 LBS.

**DISCLAIMER:**

BEGA NORTH AMERICA WARRANTS THE SPECIFIC ANCHOR BOLTS & POLE COMBINATION ACCORDING TO THE PRODUCT NUMBER(S) AND DESCRIPTION(S). STRUCTURAL CHANGES TO THE POLE REQUESTED BY THE CUSTOMER INCLUDING CHANGES TO THE POLE LENGTH, MAY AFFECT THE COMPATIBILITY OF THE ANCHOR BOLTS AND CORRESPONDING POLES. BEGA NORTH AMERICA IS NOT RESPONSIBLE FOR THE INCOMPATIBILITY OF THE ANCHOR BOLTS AND POLES RESULTING FROM SUCH STRUCTURAL CHANGES WITHOUT REVIEW BY THE BEGA NORTH AMERICA ENGINEERING DEPARTMENT. THIS INCLUDES BUT IS NOT LIMITED TO; ANY LABOR CHARGES, CHARGES FOR REPLACEMENT MATERIALS, AND SHIPPING. FOR SAFETY REASONS, DO NOT MOUNT MORE THAN MORE THAN 50 LBS. TO HINGED POLES AND MORE THAN 62 LBS. TO FIXED POLES. POLE CAPACITIES ARE BASED UPON THE PROVISIONS OF AASHTO 2013 (LTS-6) AND ASSUME A MAX VERTICAL ECCENTRICITY TO THE FIXTURE OF 2'-0" ABOVE THE POLE TOP. ADEQUATE DRAINAGE MUST BE PROVIDED IN CONCRETE FOUNDATION OR GROUT. DO NOT SEAL THE BASE OF THE POLE. DUE TO STRUCTURAL REASONS, DO NOT INSTALL POLE WITHOUT FIXTURE OR OTHER APPROPRIATE WEIGHT ON THE TOP.



3" TO 5" OD TAPERED  
ALUMINUM POLE  
W/ FIXED BASE

**BEGA**

1000 BEGA Way, Carpinteria, California 93013

P (805) 684-0533 - www.bega-us.com

APPROVED: \_\_\_\_\_ DATE: \_\_\_\_\_  
TYPE: \_\_\_\_\_

DESCRIPTION: ALUMINUM POLE  
ROUND FIXED TAPERED

**PROPRIETARY AND CONFIDENTIAL**  
THE INFORMATION CONTAINED IN THIS DRAWING IS THE SOLE PROPERTY  
OF BEGA NORTH AMERICA, INC.  
ANY REPRODUCTION IN PART OR AS A WHOLE WITHOUT THE WRITTEN  
PERMISSION OF BEGA NORTH AMERICA, INC. IS PROHIBITED.

SIZE	PART NO.	REV
B	20 RFTS1	
NOT TO SCALE	12/4/2023	SHEET 1 OF 1