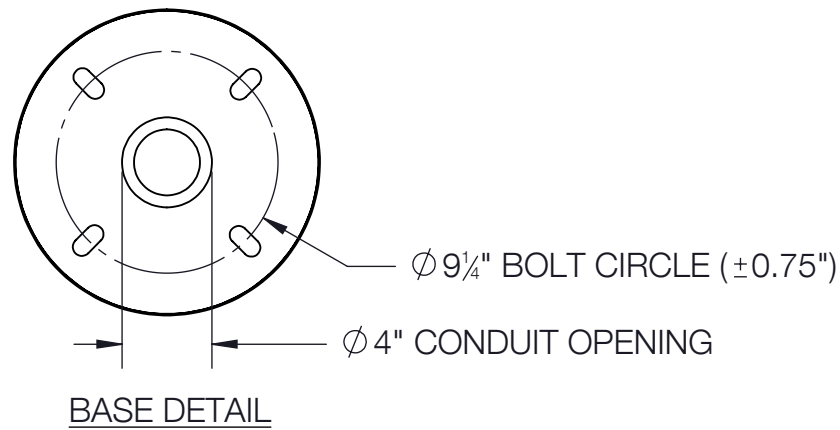


REV	CHANGED BY	DESCRIPTION	DATE



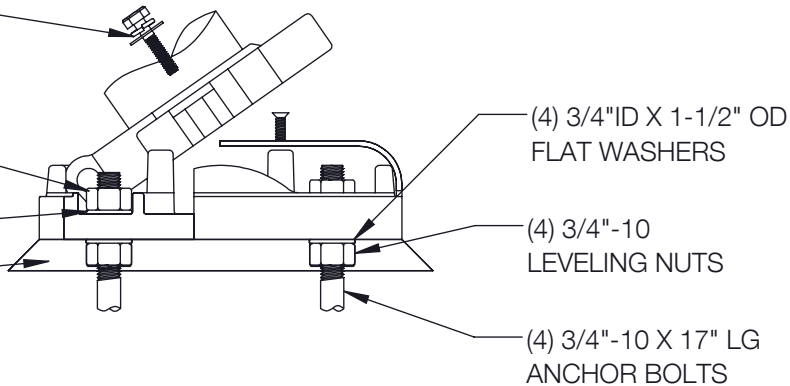
STANDARD 0.75 X 17.00 X 3.00
 ANCHOR BOLTS AND TEMPLATE
 SUPPLIED WITH POLE OR IN ADVANCE
 ANCHOR PART NUMBER: B18RHTS1-AB

(3) 1/2"-13 SS HEX HEAD
 TOP RETAINING BOLTS W/
 SS FLAT WASHERS AND
 SPLIT LOCKWASHER

(4) 3/4"-10
 TOP NUTS

(4) 3/4"ID X 1-1/2" OD
 FLAT WASHERS

GROUT



HINGE & ANCHOR DETAIL

NOTE: ADEQUATE DRAINAGE
 MUST BE PROVIDED IN
 FOUNDATION OR GROUT. DO
 NOT SEAL THE BASE OF THE
 POLE.

CAUTION: RAISING OR LOWERING OF THE POLE REQUIRES ADEQUATE
 PREPERATION. DO NOT UNDERESTIMATE THE FORCE REQUIRED TO
 RAISE OR LOWER POLES WITH HEAVY LUMINAIRES AT THE TOP.

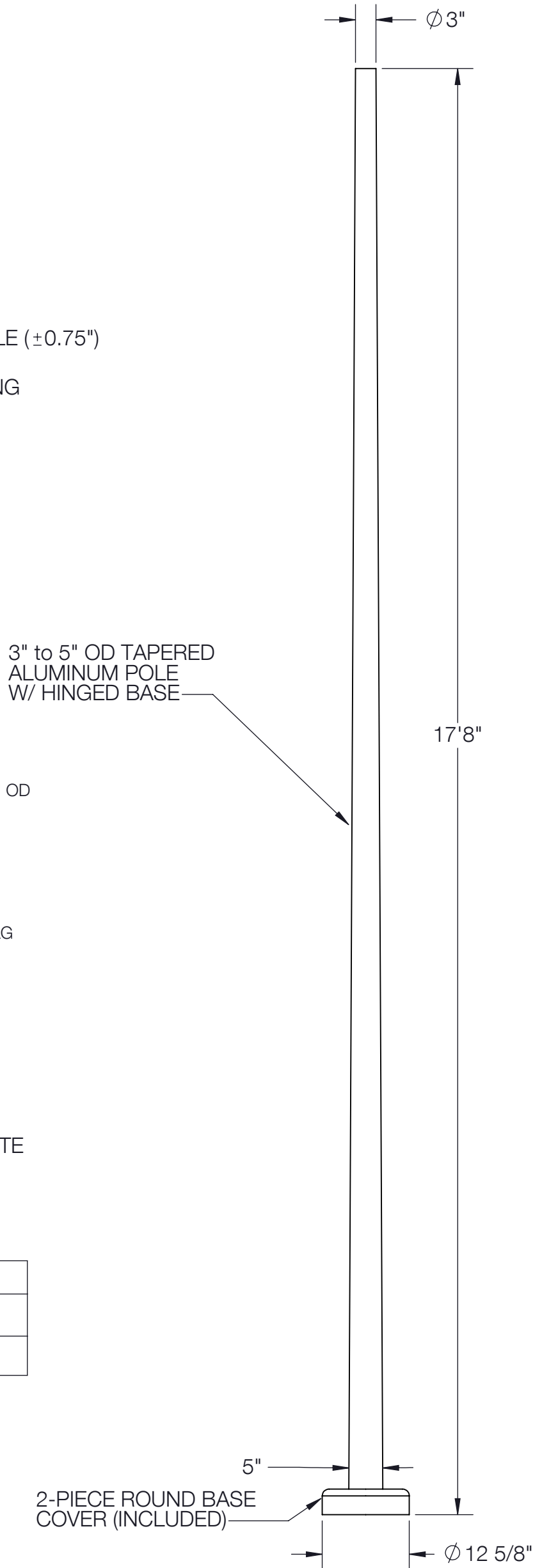
POLE WIND LOAD RATING, ALLOWS FOR 1.3 GUST FACTOR*								
MPH	85	90	100	110	120	130	140	150
EPA**	5.8	4.9	3.5	2.5	1.8	1.3	1.0	0.7

*PER AASHTO 2013 WIND MAP

**DATA ABOVE ASSUMES GRADE LEVEL INSTALLATION AND A MAXIMUM LUMINAIRE WEIGHT OF 50 LBS.

DISCLAIMER:

BEGA NORTH AMERICA WARRANTS THE SPECIFIC ANCHOR BOLTS & POLE
 COMBINATION ACCORDING TO THE PRODUCT NUMBER(S) AND DESCRIPTION(S).
 STRUCTURAL CHANGES TO THE POLE REQUESTED BY THE CUSTOMER INCLUDING
 CHANGES TO THE POLE LENGTH, MAY AFFECT THE COMPATIBILITY OF THE ANCHOR
 BOLTS AND CORRESPONDING POLES. BEGA NORTH AMERICA IS NOT RESPONSIBLE
 FOR THE INCOMPATIBILITY OF THE ANCHOR BOLTS AND POLES RESULTING FROM SUCH
 STRUCTURAL CHANGES WITHOUT REVIEW BY THE BEGA NORTH AMERICA ENGINEERING
 DEPARTMENT. THIS INCLUDES BUT IS NOT LIMITED TO; ANY LABOR CHARGES,
 CHARGES FOR REPLACEMENT MATERIALS, AND SHIPPING. FOR SAFETY REASONS, DO
 NOT MOUNT MORE THAN MORE THAN 50 LBS. TO HINGED POLES AND MORE THAN 62
 LBS. TO FIXED POLES. POLE CAPACITIES ARE BASED UPON THE PROVISIONS OF
 AASHTO 2013 (LTS-6) AND ASSUME A MAX VERTICAL ECCENTRICITY TO THE FIXTURE OF
 2'-0" ABOVE THE POLE TOP. ADEQUATE DRAINAGE MUST BE PROVIDED IN CONCRETE
 FOUNDATION OR GROUT. DO NOT SEAL THE BASE OF THE POLE. DUE TO STRUCTURAL
 REASONS, DO NOT INSTALL POLE WITHOUT FIXTURE OR OTHER APPROPRIATE WEIGHT
 ON THE TOP.



BEGA

1000 BEGA Way, Carpinteria, California 93013

P (805) 684-0533 - www.bega-us.com

APPROVED: _____ DATE: _____
 TYPE: _____

DESCRIPTION: ALUMINUM POLE
 ROUND HINGED TAPERED

PROPRIETARY AND CONFIDENTIAL

THE INFORMATION CONTAINED IN THIS DRAWING IS THE SOLE PROPERTY
 OF BEGA NORTH AMERICA, INC.
 ANY REPRODUCTION IN PART OR AS A WHOLE WITHOUT THE WRITTEN
 PERMISSION OF BEGA NORTH AMERICA, INC. IS PROHIBITED.

SIZE	PART NO.	REV
B	18 RHTS1	
NOT TO SCALE	12/12/2023	SHEET 1 OF 1