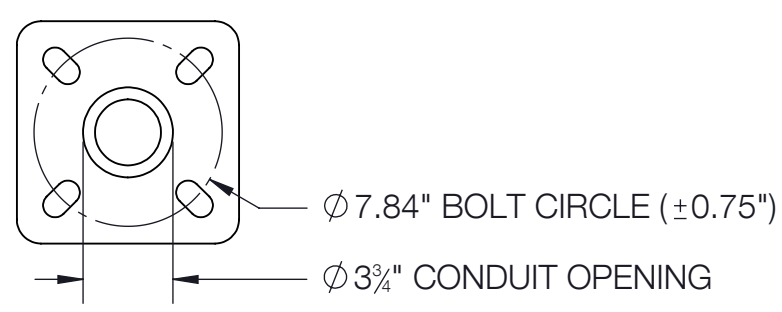
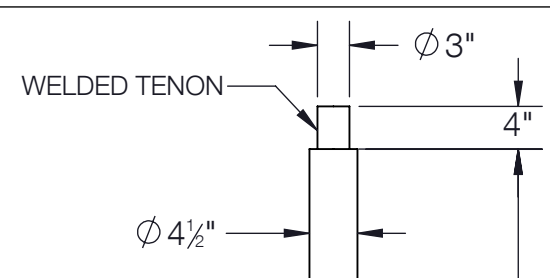


REV	CHANGED BY	DESCRIPTION	DATE

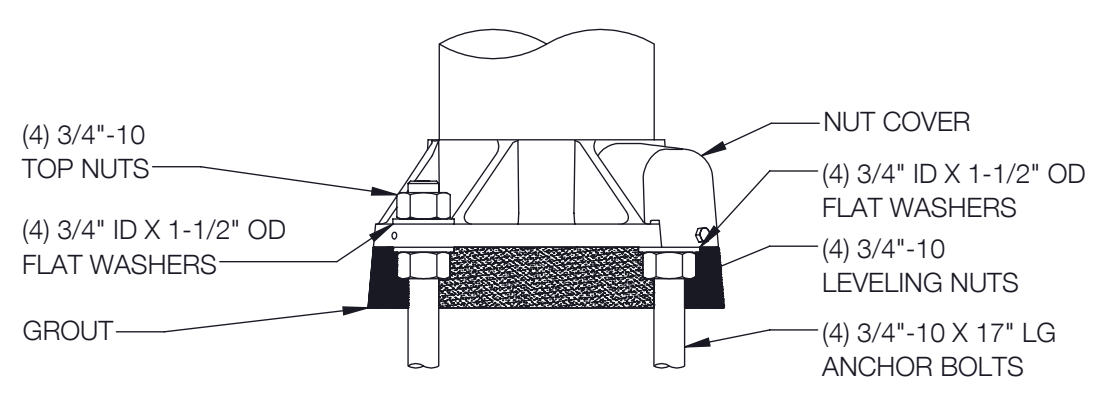


**BASE DETAIL**

STANDARD 0.75 X 17.00 X 3.00  
ANCHOR BOLTS AND TEMPLATE  
SUPPLIED WITH POLE OR IN ADVANCE

ANCHOR PART NUMBER: B18RFNS1-AB

4.5" OD STRAIGHT  
ALUMINUM POLE  
W/ FIXED BASE



**ANCHOR DETAIL**

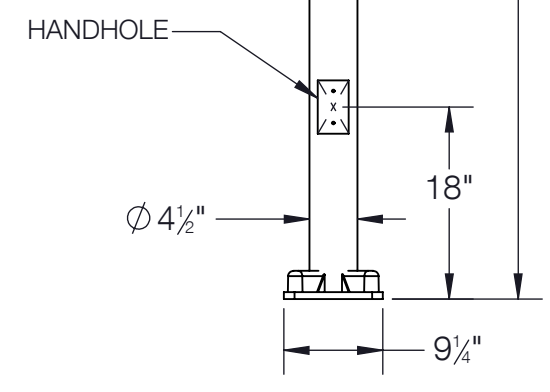
NOTE: ADEQUATE DRAINAGE MUST BE PROVIDED IN FOUNDATION OR GROUT. DO NOT SEAL THE BASE OF THE POLE.

CAUTION: RAISING OR LOWERING OF THE POLE REQUIRES ADEQUATE PREPERATION. DO NOT UNDERESTIMATE THE FORCE REQUIRED TO RAISE OR LOWER POLES WITH HEAVY LUMINAIRES AT THE TOP.

POLE WIND LOAD RATING, ALLOWS FOR 1.3 GUST FACTOR*								
MPH	85	90	100	110	120	130	140	150
EPA**	5.8	4.9	3.4	2.5	1.9	1.5	1.2	1.0

\*PER AASHTO 2013 WIND MAP  
\*\*DATA ABOVE ASSUMES GRADE LEVEL INSTALLATION AND A MAXIMUM LUMINAIRE WEIGHT OF 62 LBS.

DISCLAIMER:  
BEGA NORTH AMERICA WARRANTS THE SPECIFIC ANCHOR BOLTS & POLE COMBINATION ACCORDING TO THE PRODUCT NUMBER(S) AND DESCRIPTION(S). STRUCTURAL CHANGES TO THE POLE REQUESTED BY THE CUSTOMER INCLUDING CHANGES TO THE POLE LENGTH, MAY AFFECT THE COMPATIBILITY OF THE ANCHOR BOLTS AND CORRESPONDING POLES. BEGA NORTH AMERICA IS NOT RESPONSIBLE FOR THE INCOMPATIBILITY OF THE ANCHOR BOLTS AND POLES RESULTING FROM SUCH STRUCTURAL CHANGES WITHOUT REVIEW BY THE BEGA NORTH AMERICA ENGINEERING DEPARTMENT. THIS INCLUDES BUT IS NOT LIMITED TO; ANY LABOR CHARGES, CHARGES FOR REPLACEMENT MATERIALS, AND SHIPPING. FOR SAFETY REASONS, DO NOT MOUNT MORE THAN MORE THAN 50 LBS. TO HINGED POLES AND MORE THAN 62 LBS. TO FIXED POLES. POLE CAPACITIES ARE BASED UPON THE PROVISIONS OF AASHTO 2013 (LTS-6) AND ASSUME A MAX VERTICAL ECCENTRICITY TO THE FIXTURE OF 2'-0" ABOVE THE POLE TOP. ADEQUATE DRAINAGE MUST BE PROVIDED IN CONCRETE FOUNDATION OR GROUT. DO NOT SEAL THE BASE OF THE POLE. DUE TO STRUCTURAL REASONS, DO NOT INSTALL POLE WITHOUT FIXTURE OR OTHER APPROPRIATE WEIGHT ON THE TOP.



<b>BEGA</b>		1000 BEGA Way, Carpinteria, California 93013		P (805) 684-0533 - www.bega-us.com	
APPROVED: _____	DATE: _____	DESCRIPTION: ALUMINUM POLE - ROUND STRAIGHT			
TYPE: _____		SIZE <b>B</b>	PART NO. <b>18 RFNS1</b>	REV	
<small>PROPRIETARY AND CONFIDENTIAL THE INFORMATION CONTAINED IN THIS DRAWING IS THE SOLE PROPERTY OF BEGA NORTH AMERICA, INC. ANY REPRODUCTION IN PART OR AS A WHOLE WITHOUT THE WRITTEN PERMISSION OF BEGA NORTH AMERICA, INC. IS PROHIBITED.</small>		NOT TO SCALE	11/30/2023	SHEET 1 OF 1	