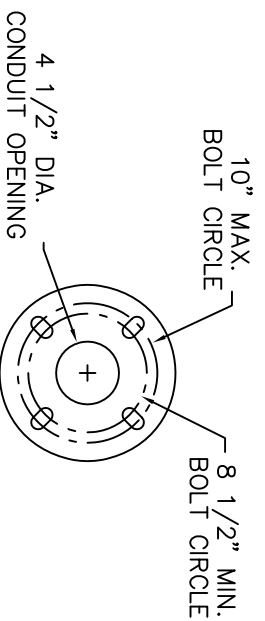
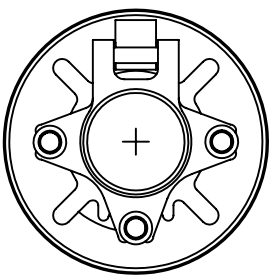
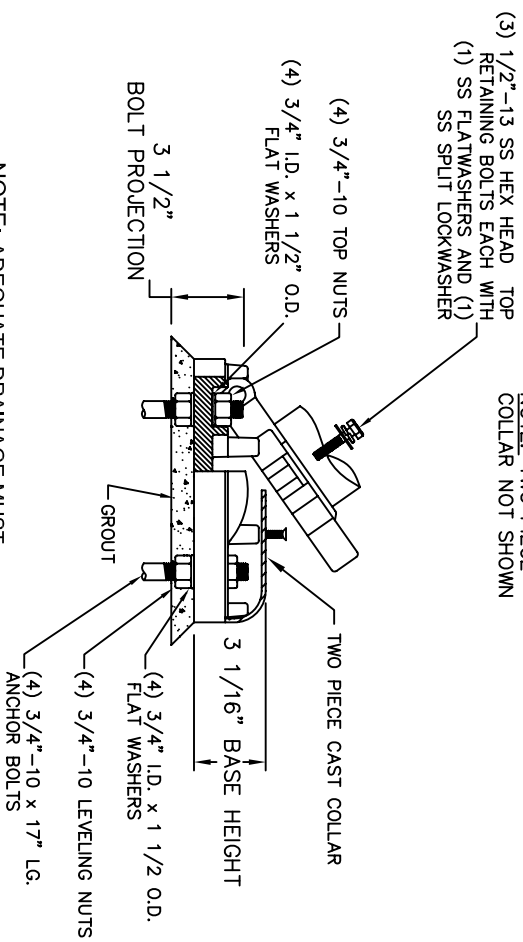


POLE BASE INCLUDES
3/8"-16 TAPPED HOLE
FOR GROUND CONNECTOR



STANDARD (4) 3/4" x 17"
ANCHOR BOLTS & MTG. TEMPLATE
SUPPLIED WITH POLE
OR IN ADVANCE.

NOTE: TWO PIECE
COLLAR NOT SHOWN



NOTE: ADEQUATE DRAINAGE MUST
BE PROVIDED IN CONCRETE
FOUNDATION OR GROUT.

DISCLAIMER

BEGA-US WARRANTS THE SPECIFIC ANCHOR BOLTS &
POLE COMBINATION ACCORDING TO THE PRODUCT
NUMBERS(S) AND DESCRIPTION(S). STRUCTURAL
CHANGES TO THE POLE REQUESTED BY THE CUSTOMER
INCLUDING CHANGES TO POLE LENGTH, MAY AFFECT THE
COMPATIBILITY OF THE ANCHOR BOLTS AND
CORRESPONDING POLES.
BEGA-US IS NOT RESPONSIBLE FOR THE
INCOMPATIBILITY OF THE ANCHOR BOLTS AND POLES
RESULTING FROM SUCH STRUCTURAL CHANGES
WITHOUT REVIEW BY THE BEGA-US ENGINEERING DEPT.
THIS INCLUDES, BUT IS NOT LIMITED TO: ANY LABOR
CHARGES, CHARGES FOR REPLACEMENT MATERIALS
AND SHIPPING.

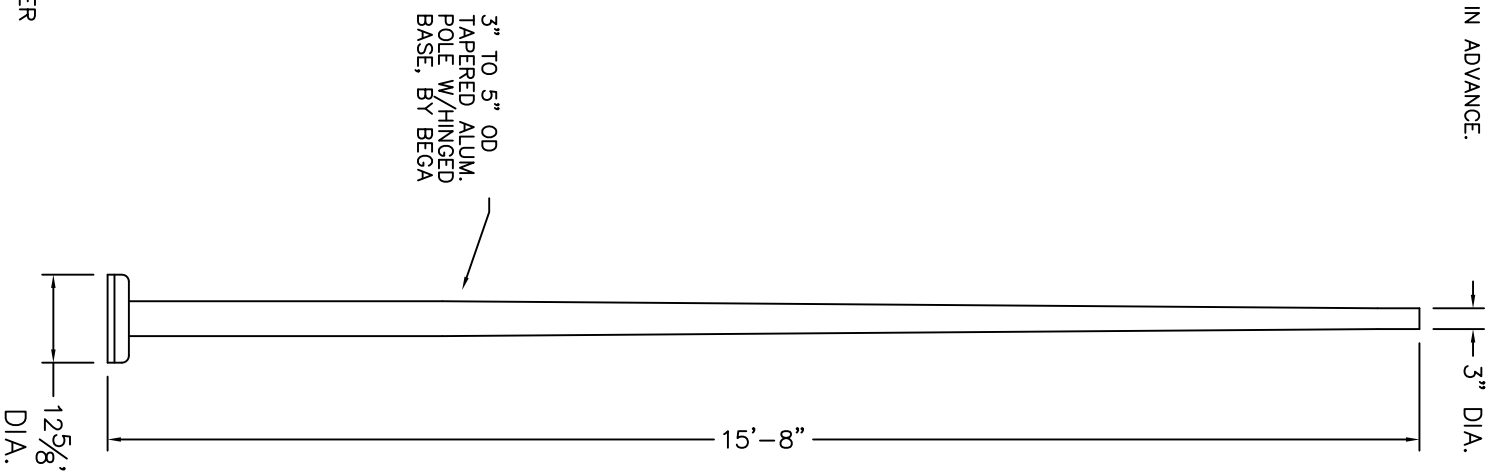
SEE LUMINAIRE SPECIFICATION SHEET FOR ADDITIONAL DETAILS

MAXIMUM EPA AT VARIOUS MPH, ALLOWS FOR 1.3 GUST FACTOR*						
POLE NO.	MPH -	70	80	90	100	120
1508HR	EPA -	15.4	11.2	8.5	6.5	4.4

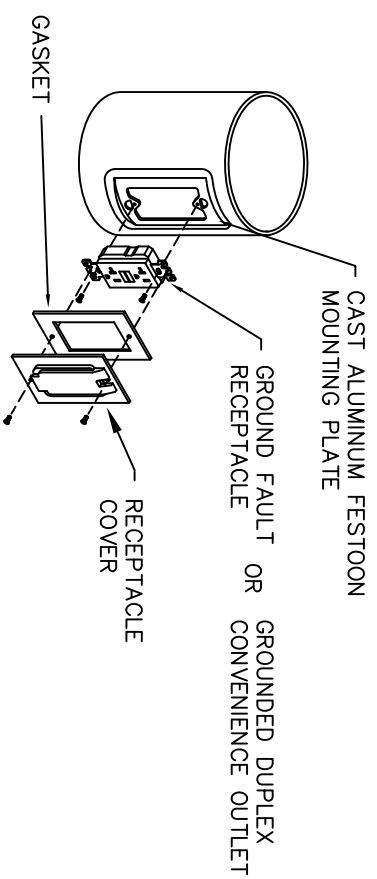
*PER AASHTO 1994 WIND MAP

NOTE: DATA ABOVE ASSUMES GRADE LEVEL INSTALLATION AND
A MAXIMUM LUMINAIRE WEIGHT OF 75 LBS.

CAUTION: DO NOT UNDERESTIMATE THE FORCE REQUIRED TO RAISE OR LOWER
POLES WITH HEAVY LUMINAIRES AT THE TOP.
RAISING OR LOWERING OF THE POLE REQUIRES ADEQUATE PREPERATION

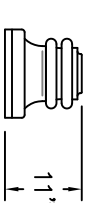


POLE OPTIONS / ACCESSORIES:

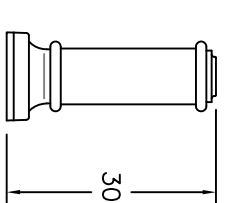


NOTE:
GFI COVERS PROVIDED ARE INTENDED FOR
PORTABLE TOOLS OR OTHER PORTABLE
EQUIPMENT CONNECTED TO THE OUTLET
WHEN ATTENDED.
WET LOCATION LISTED WHEN COVER IS
CLOSED.

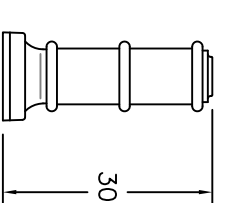
RECEPTACLE OPTION



DPC-1



DPC-2



DPC-3

DECORATIVE POLE BASE COVERS (DPC)

BEGA

1000 Bega Way
Carpinteria, Ca. 93013
(805) 684-0533

Catalog No.: 1508HR
Description: POLE - Aluminum Tapered 3" to 5" Dia. x 15'-8"
Drawn by: Bob Mc Date: 7/1/15 File Name: 1508HR

SCALE: NONE - DO NOT SCALE DRAWING

This print contains confidential information which is the property of BEGA/US. By accepting this information, the borrower agrees that it will not be used for any other purpose other than that which is was loaned.