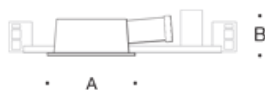


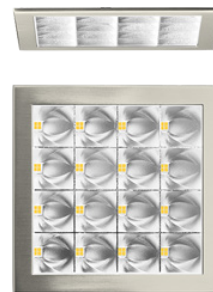
Tools Required:

- Phillips medium screwdriver
- 3mm hex screwdriver
- 2mm hex screwdriver



Dimensions

- A: 7 "
- B: 5-1/2 "



Weight: 4.41 lbs

Notice to Installer for 12 235:

1. See page 2 for specific product safety warnings.
2. Select the desired trim ring or housing material finish by using appropriate code number as suffix.
Code number .1 - White
Code number .2 - Stainless steel
Code number .3 - Polished Aluminum
3. Luminaire is non-IC rated. Insulation must be at least 3" from luminaire.
4. Luminaire not suitable for poured concrete construction.
5. Suitable for installation in covered ceilings only. Recommended for 2x2 suspended ceilings, minimum ceiling thickness 1/8", maximum ceiling thickness is 3/4".
6. Supplied with rough-in kit. Includes through-wiring box and driver mounted on rough-in pan assembly.
7. Bar hanger brackets are designed to accept 1/2" trade-size EMT (not included) for mounting to the ceiling structure. Four (4) conduit brackets are provided that slip over the ends of the conduit and allow for attachment to the ceiling structure.
8. Ceiling cut out is 6-1/2" square.
9. LEDs are high-quality electronic components! Please avoid touching the light output opening of the LED directly during installation.

Rough-in kit installation instructions:

1. Measure distance between available ceiling studs and cut appropriate lengths of 1/2" trade-size EMT.
2. Place provided conduit brackets over the ends of the conduit and tighten single anti-rotation screw provided at the bottom of each bracket.
3. Level the rough-in pan so that the bottom of the pan rests on the back side of the ceiling material.
4. Nail all four brackets to the available ceiling structure. For attachment to T-Bar type acoustical ceilings, the conduit brackets can be attached to Caddy Fasteners #ATS4I (not included).
5. Route power supply leads into junction box:
MAIN VOLTAGE SUPPLY WIRE TO BLACK DRIVER WIRE(S);
NEUTRAL (COMMON SUPPLY WIRE TO WHITE DRIVER WIRE(S);
GREEN GROUND WIRE TO GREEN DRIVER WIRE(S).

Dimming (if applicable):

- DIMMING CONTROL WIRE (+) TO POSITIVE DRIVER DIM CONTROL WIRE
- DIMMING CONTROL WIRE (-) TO NEGATIVE DRIVER DIM CONTROL WIRE

6. Finished ceiling may now be installed. Ceiling cutout is 6-1/2" square.

12 235 Installation Instructions:

1. Faceplate is held into place magnetically. Remove faceplate.
2. Connect loose end of the flexible conduit whip to the junction box and make the luminaire driver wiring connection via quick-disconnect.
3. Place luminaire housing up into ceiling and tighten (2) 2mm hex-head screws to engage clamping system to attach and secure luminaire housing to the ceiling panel.
4. Replace faceplate.

Relamping/Maintenance

No relamping required.

Accessories

Please refer to the appropriate accessory installation sheet for further instruction when applicable.

Replacement Parts

Description	Part No
Driver (120-277V)	75995-04
LED Module (3000K)	LED-0588/930
LED Module (4000K)	LED-0588/940

Lamp: 23.2W LED

Figure 1

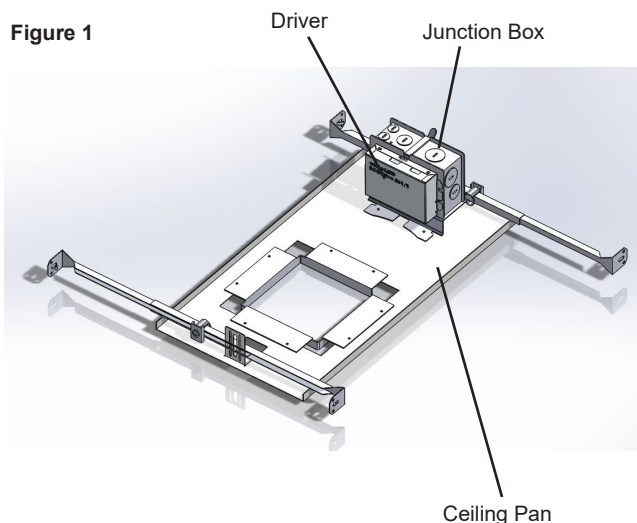
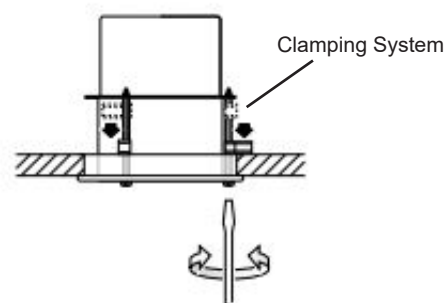


Figure 2 (Generic Image)



Product Safety Warnings:

THIS PRODUCT MUST BE INSTALLED IN ACCORDANCE WITH THE APPLICABLE INSTALLATION CODE BY A PERSON FAMILIAR WITH THE CONSTRUCTION AND OPERATION OF THE PRODUCT AND THE HAZARDS INVOLVED. SUITABLE FOR DAMP LOCATIONS.

MIN 90°C SUPPLY CONDUCTORS.

CE PRODUIT DOIT ÊTRE INSTALLÉ SELON LE CODE D'INSTALLATION PERTINENT, PAR UNE PERSONNE QUI CONNAÎT BIEN LE PRODUIT ET SON FONCTIONNEMENT AINSI QUE LES RISQUES INHÉRENTS. CONVIENT AUX EMPLACEMENTS HUMIDES.

LES FILS D'ALIMENTATION 90°C MIN.