

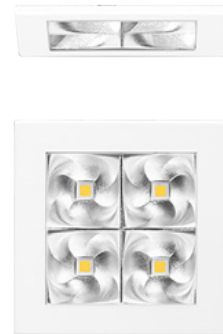
Tools Required:

- Phillips medium screwdriver
- 3mm hex screwdriver
- 2mm hex screwdriver



Dimensions

- A:** 3-7/8"
- B:** 2-7/8"



Weight: 1.1 lbs

Notice to Installer for 12 201:

1. See page 2 for specific product safety warnings.
2. Select the desired trim ring or housing material finish by using appropriate code number as suffix.
 - Code number .1 - White
 - Code number .2 - Stainless steel
 - Code number .3 - Polished Aluminum
3. Luminaire is non-IC rated. Insulation must be at least 3" from luminaire.
4. Luminaire not suitable for poured concrete construction.
5. **Minimum ceiling clearance of 7" is REQUIRED to fit ceiling box.**
6. Minimum ceiling thickness 1/8", maximum ceiling thickness is 3/4".
7. CEILINGBOX with integral driver provided.
8. Ceiling cut out is 3-11/16" square.
9. Integral LED module and ceiling box with LED Driver included (**Figure 1**).
10. LEDs are high-quality electronic components! Please avoid touching the light output opening of the LED directly during installation.

CEILINGBOX Instructions:

1. Fixture is connected to wiring box via quick-disconnect. Disconnect fixture and ceilingbox.
2. Unscrew (2) 3mm hex head screws to open ceiling box.
3. Bring supply wiring into ceiling box via strain relief bushing and make connections from supply wires to driver wires:
 - MAIN VOLTAGE SUPPLY WIRE TO BLACK DRIVER WIRE(S);
 - NEUTRAL (COMMON SUPPLY WIRE TO WHITE DRIVER WIRE(S);
 - GREEN GROUND WIRE TO GREEN DRIVER WIRE(S).

Dimming (if applicable):

- DIMMING CONTROL WIRE (+) TO POSITIVE DRIVER DIM CONTROL WIRE
 - DIMMING CONTROL WIRE (-) TO NEGATIVE DRIVER DIM CONTROL WIRE
4. Tighten (2) Phillips-head screws on strain relief bushing. Replace and tighten (2) 3mm hex head screws to close ceiling box. Connect the fixture to the ceilingbox via quick-disconnect.
 5. Push the ceiling box through the ceiling cut-out. The ceiling box will rest on ceiling panels or other ceiling construction material.

12 201 Installation Instructions:

1. Faceplate is held into place magnetically. Remove faceplate.
2. Ensure fixture is attached to ceiling box via quick-disconnect.
3. Attach safety wire from luminaire to ceiling box by tightening (1) Phillips-head screw into pre-drilled hole on ceiling box.
4. Place luminaire housing up into ceiling and tighten (2) 2mm hex-head screws to engage clamping system to attach and secure luminaire housing ceiling panel.
5. Replace faceplate

Relamping/Maintenance

No relamping required.

Accessories

Please refer to the appropriate accessory installation sheet for further instruction when applicable.

Replacement Parts

Description	Part No
Driver (120-277V)	76066
LED Module (3000K)	LED-0591/930
LED Module (4000K)	LED-0591/940

Lamp: 3.0W LED

Figure 1 (Generic Image)

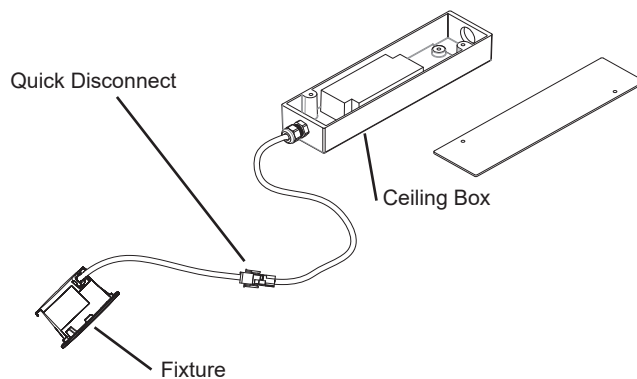
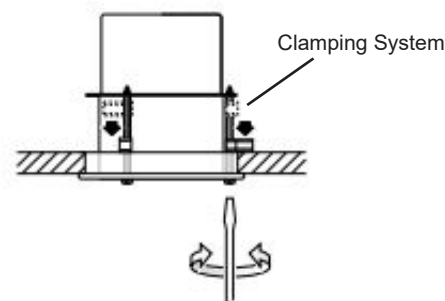


Figure 2 (Generic Image)



Product Safety Warnings:

THIS PRODUCT MUST BE INSTALLED IN ACCORDANCE WITH THE APPLICABLE INSTALLATION CODE BY A PERSON FAMILIAR WITH THE CONSTRUCTION AND OPERATION OF THE PRODUCT AND THE HAZARDS INVOLVED. SUITABLE FOR DAMP LOCATIONS.

MIN 90°C SUPPLY CONDUCTORS.

CE PRODUIT DOIT ÊTRE INSTALLÉ SELON LE CODE D'INSTALLATION PERTINENT, PAR UNE PERSONNE QUI CONNAÎT BIEN LE PRODUIT ET SON FONCTIONNEMENT AINSI QUE LES RISQUES INHÉRENTS. CONVIENT AUX EMPLACEMENTS HUMIDES.

LES FILS D'ALIMENTATION 90°C MIN.