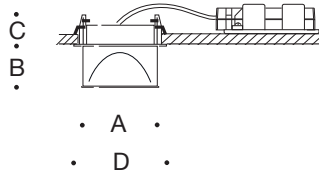


Tools Required:

- Phillips medium screwdriver
- 3mm hex screwdriver



Dimensions

- A:** 4-7/8 "
- B:** 3 "
- C:** 2 "
- D:** 6 "



Notice: Instructions for standard installation. For options, see page 2.

Notice to Installer for 12 063, 12 067:

- See page 2 for specific product safety warnings.
- Select the desired trim ring or housing material finish by using appropriate code number as suffix.
 - Code number .1 - Brilliant white
 - Code number .2 - Stainless steel
 - Code number .3 - Polished aluminum
- Luminaire is non-IC rated. Insulation must be at least 3" from luminaire.
- Luminaire not suitable for poured concrete construction.
- Minimum ceiling clearance is 7" to fit ceiling box. Minimum ceiling thickness 1/8", maximum ceiling thickness is 3/4".
- CEILINGBOX-L-ELDO500 provided.
- Ceiling cut out is 5-9/16"
- Integral LED module and ceiling box with LED Driver included (**Figure 1**).
- LEDs are high-quality electronic components! Please avoid touching the light output opening of the LED directly during installation.

CEILINGBOX-L-ELDO500 Instructions:

- Fixture is connected to wiring box via quick-disconnect. Disconnect fixture and ceilingbox.
- Unscrew (2) 3mm hex head screws to open ceiling box.
- Bring supply wiring into ceiling box via strain relief bushing (**Figure 2**) and make connections from supply wires to driver wires (**Figure 3**):
 - MAIN VOLTAGE SUPPLY WIRE TO BLACK BALLAST WIRE(S);
 - NEUTRAL (COMMON SUPPLY WIRE TO WHITE BALLAST WIRE(S);
 - GREEN GROUND WIRE TO GREEN BALLAST WIRE(S).
- Dimming (if applicable):**
 - DIMMING CONTROL WIRE (+) TO POSITIVE DRIVER DIM CONTROL WIRE
 - DIMMING CONTROL WIRE (-) TO NEGATIVE DRIVER DIM CONTROL WIRE
- Tighten (2) Philips-head screws on strain relief bushing. Replace and tighten (2) 3mm hex head screws to close ceiling box. Connect the fixture to the ceilingbox via quick-disconnect.
- Push the ceiling box through the ceiling cut-out. The ceiling box will rest on ceiling panels or other ceiling construction material.

Note: Minimum ceiling clearance of 7" is required to fit ceiling box.

12 063, 12 067 Installation Instructions:

- Carefully unscrew glass diffuser. **NOTE:** There is a secondary glass diffuser that is loose inside the fixture, use caution when assembling/disassembling this fixture.
- Ensure fixture is attached to ceiling box via quick-disconnect.
- Attach safety wire from luminaire to ceiling box by tightening (1) Philips-head screw into pre-drilled hole on ceiling box.
- Place luminaire housing up into ceiling and tighten (2) 3mm hex-head screws to engage clamping system to attach and secure luminaire housing ceiling panel.

Figure 1



Figure 2



Figure 3

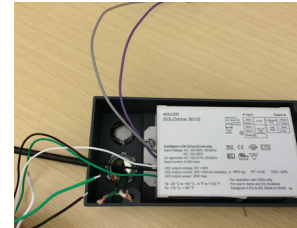
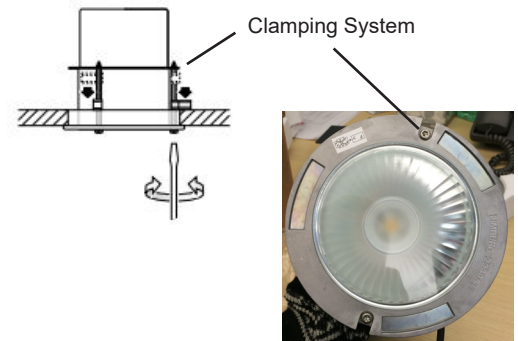


Figure 4 (generic image)



Relamping/Maintenance

No relamping required.

Accessories

Please refer to the appropriate accessory installation sheet for further instruction when applicable.

Ceiling Box CEILINGBOX-L-ELDO500

Replacement Parts

Description	Part No
Driver (120-277V)	75999-03
LED Module (3000K)	LED-0328/930
LED Module (4000K)	LED-0328/940

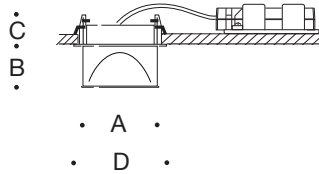
Lamp: 9.6W LED

U.S. Patent Pending

In the interest of product improvement, BEGA reserves the right to make technical changes without notice.

Tools Required:

- Phillips medium screwdriver
- 3mm hex screwdriver



Dimensions

- A: 4-7/8 "
- B: 3 "
- C: 2 "
- D: 6 "



Notice: Instructions for ceiling pan option.

CP12063 - rough-in kit installation (Figure-1):

1. Measure distance between available ceiling studs.
2. Place provided bar hanger brackets in correct position by aligning vertically and tightening single bar hanger screw.
3. Level the rough-in pan so that the bottom of the pan rests on the back side of the ceiling material.
4. Fit bar hangers to appropriate length (between ceiling structure). Nail both brackets at each end to the available ceiling structure. For attachment to T-Bar type acoustical ceilings, the bar hanger brackets can be attached to Caddy Fasteners (not included).
5. Route power supply leads into j-box:
 - CONNECT WHITE (common) SUPPLY WIRE TO WHITE LUMINAIRE LEAD
 - CONNECT BLACK (hot) SUPPLY WIRE TO BLACK LUMINAIRE LEAD
 - CONNECT GREEN (ground) SUPPLY WIRE TO GREEN LUMINAIRE LEAD
- Dimming (if applicable):
 - DIMMING CONTROL WIRE (+) TO POSITIVE LUMINAIRE DIM CONTROL WIRE
 - DIMMING CONTROL WIRE (-) TO NEGATIVE LUMINAIRE DIM CONTROL WIRE
6. The quick disconnect should hang down through the opening in the rough-in pan.
7. The finished ceiling may now be installed. Cutout in ceiling = 5-9/16" O.D.

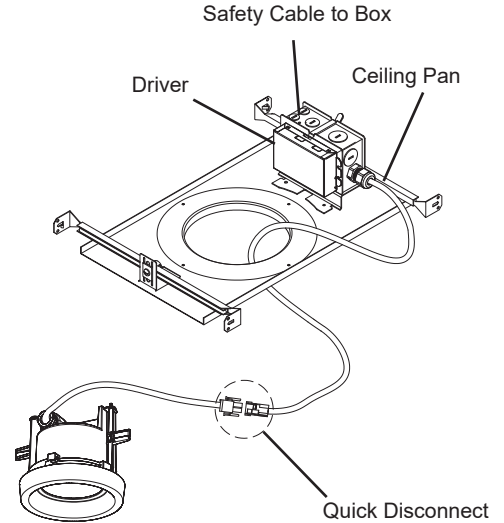


Figure 1:
Ceiling pan for LED fixtures. Images are generic.

12 063, 12 067 - fixture installation:

1. Carefully unscrew glass diffuser. **NOTE:** There is a secondary glass diffuser that is loose inside the fixture, use caution when assembling/disassembling this fixture.
2. Ensure fixture is attached to ceiling pan via quick-disconnect.
3. Attach safety wire from luminaire to ceiling pan by tightening (1) Phillips-head screw into pre-drilled hole on junction box.
4. Place luminaire housing up into ceiling and tighten (2) 3mm hex-head screws to engage clamping system to attach and secure luminaire housing ceiling panel.
5. Ensure inner diffuser and trim ring are set in place. Replace glass diffuser. Do not over-tighten.

Relamping/Maintenance

No relamping required.

Accessories

Please refer to the appropriate accessory installation sheet for further instruction when applicable.

Ceiling Pan CP12063

Replacement Parts

Description	Part No
Driver (120-277V)	75995-04
LED Module (3000K)	LED-0328/930
LED Module (4000K)	LED-0328/940

Lamp: 9.6W LED

U.S. Patent Pending

In the interest of product improvement, BEGA reserves the right to make technical changes without notice.

Product Safety Warnings:

THIS PRODUCT MUST BE INSTALLED IN ACCORDANCE WITH THE APPLICABLE INSTALLATION CODE BY A PERSON FAMILIAR WITH THE CONSTRUCTION AND OPERATION OF THE PRODUCT AND THE HAZARDS INVOLVED. SUITABLE FOR DAMP LOCATIONS.

MIN 90°C SUPPLY CONDUCTORS.

CE PRODUIT DOIT ÊTRE INSTALLÉ SELON LE CODE D'INSTALLATION PERTINENT, PAR UNE PERSONNE QUI CONNAÎT BIEN LE PRODUIT ET SON FONCTIONNEMENT AINSI QUE LES RISQUES INHÉRENTS. CONVIENT AUX EMPLACEMENTS HUMIDES.

LES FILS D'ALIMENTATION 90°C MIN.
