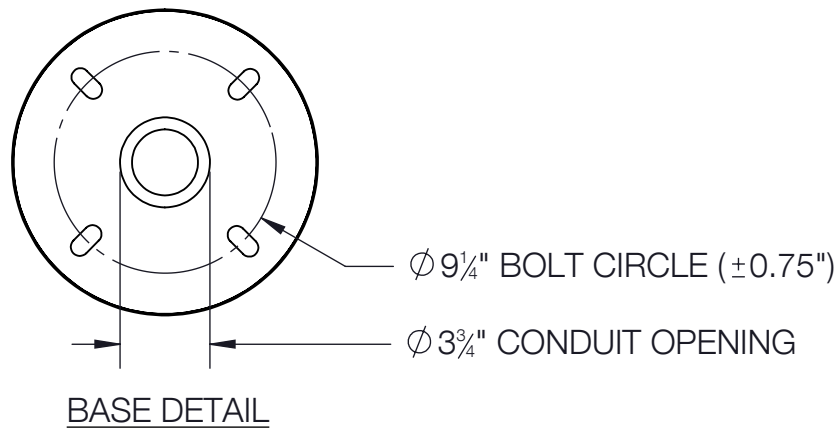


REV	CHANGED BY	DESCRIPTION	DATE



STANDARD 0.75 X 17.00 X 3.00  
 ANCHOR BOLTS AND TEMPLATE  
 SUPPLIED WITH POLE OR IN ADVANCE  
 ANCHOR PART NUMBER: B10RHTS1-AB

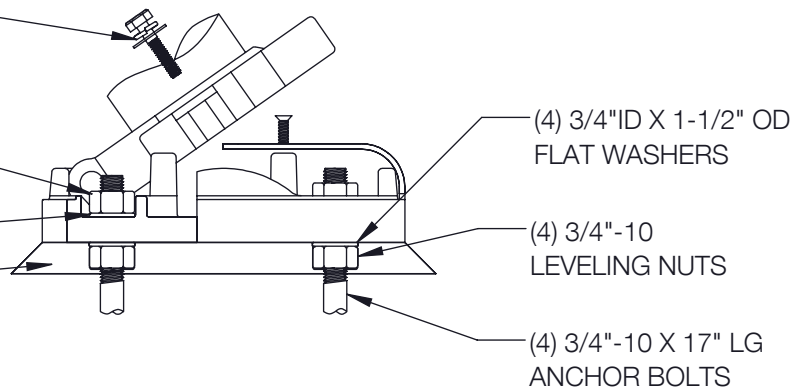
3" to 4" OD TAPERED  
 ALUMINUM POLE  
 W/ HINGED BASE

(3) 1/2"-13 SS HEX HEAD  
 TOP RETAINING BOLTS W/  
 SS FLAT WASHERS AND  
 SPLIT LOCKWASHER

(4) 3/4"-10  
 TOP NUTS

(4) 3/4"ID X 1-1/2" OD  
 FLAT WASHERS

GROUT



HINGE & ANCHOR DETAIL

NOTE: ADEQUATE DRAINAGE  
 MUST BE PROVIDED IN  
 FOUNDATION OR GROUT. DO  
 NOT SEAL THE BASE OF THE  
 POLE.

CAUTION: RAISING OR LOWERING OF THE POLE REQUIRES ADEQUATE  
 PREPERATION. DO NOT UNDERESTIMATE THE FORCE REQUIRED TO  
 RAISE OR LOWER POLES WITH HEAVY LUMINAIRES AT THE TOP.

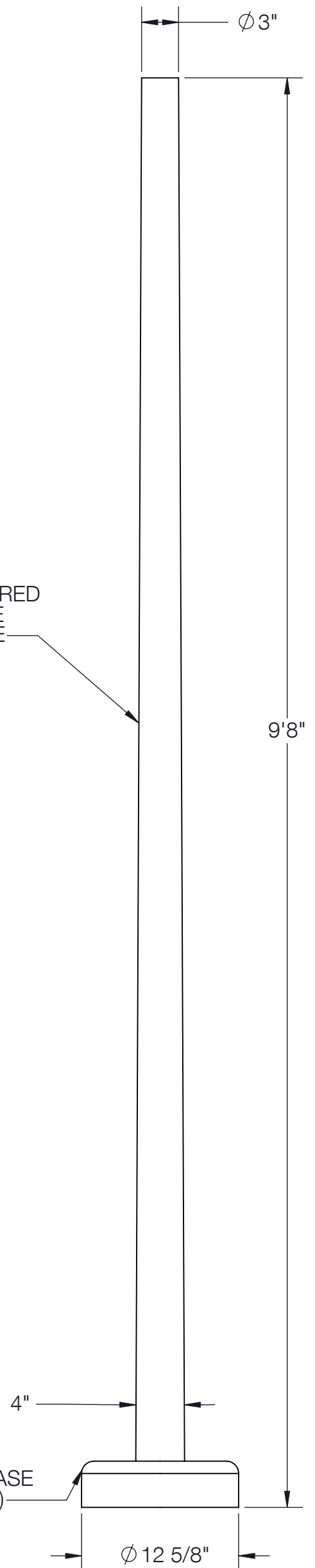
POLE WIND LOAD RATING, ALLOWS FOR 1.3 GUST FACTOR*								
MPH	85	90	100	110	120	130	140	150
EPA**	7.2	6.3	4.9	3.9	3.1	2.5	2.0	1.7

\*PER AASHTO 2013 WIND MAP

\*\*DATA ABOVE ASSUMES GRADE LEVEL INSTALLATION  
 AND A MAXIMUM LUMINAIRE WEIGHT OF 50 LBS.

DISCLAIMER:

BEGA NORTH AMERICA WARRANTS THE SPECIFIC ANCHOR BOLTS & POLE  
 COMBINATION ACCORDING TO THE PRODUCT NUMBER(S) AND DESCRIPTION(S).  
 STRUCTURAL CHANGES TO THE POLE REQUESTED BY THE CUSTOMER INCLUDING  
 CHANGES TO THE POLE LENGTH, MAY AFFECT THE COMPATILITY OF THE ANCHOR  
 BOLTS AND CORRESPONDING POLES. BEGA NORTH AMERICA IS NOT RESPONSIBLE  
 FOR THE INCOMPATIBILITY OF THE ANCHOR BOLTS AND POLES RESULTING FROM SUCH  
 STRUCTURAL CHANGES WITHOUT REVIEW BY THE BEGA NORTH AMERICA ENGINEERING  
 DEPARTMENT. THIS INCLUDES BUT IS NOT LIMITED TO; ANY LABOR CHARGES,  
 CHARGES FOR REPLACEMENT MATERIALS, AND SHIPPING. FOR SAFETY REASONS, DO  
 NOT MOUNT MORE THAN MORE THAN 50 LBS. TO HINGED POLES AND MORE THAN 62  
 LBS. TO FIXED POLES. POLE CAPACITIES ARE BASED UPON THE PROVISIONS OF  
 AASHTO 2013 (LTS-6) AND ASSUME A MAX VERTICAL ECCENTRICITY TO THE FIXTURE OF  
 2'-0" ABOVE THE POLE TOP. ADEQUATE DRAINAGE MUST BE PROVIDED IN CONCRETE  
 FOUNDATION OR GROUT. DO NOT SEAL THE BASE OF THE POLE. DUE TO STRUCTURAL  
 REASONS, DO NOT INSTALL POLE WITHOUT FIXTURE OR OTHER APPROPRIATE WEIGHT  
 ON THE TOP.



**BEGA**

1000 BEGA Way, Carpinteria, California 93013

P (805) 684-0533 - www.bega-us.com

APPROVED: \_\_\_\_\_ DATE: \_\_\_\_\_  
 TYPE: \_\_\_\_\_

DESCRIPTION: ALUMINUM POLE  
 ROUND HINGED TAPERED

PROPRIETARY AND CONFIDENTIAL

THE INFORMATION CONTAINED IN THIS DRAWING IS THE SOLE PROPERTY  
 OF BEGA NORTH AMERICA, INC.  
 ANY REPRODUCTION IN PART OR AS A WHOLE WITHOUT THE WRITTEN  
 PERMISSION OF BEGA NORTH AMERICA, INC. IS PROHIBITED.

SIZE PART NO. REV

B 10 RHTS1

NOT TO SCALE 12/12/2023 SHEET 1 OF 1