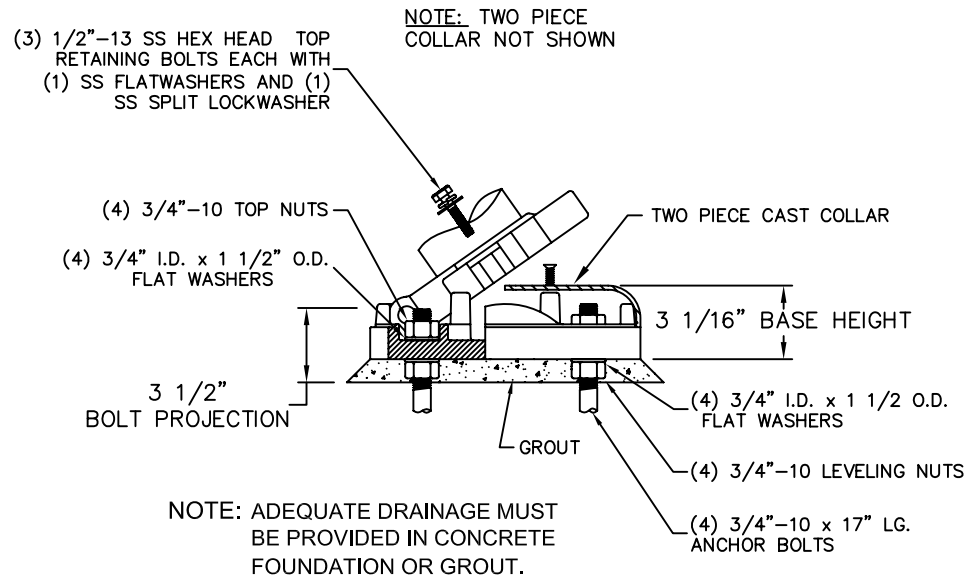
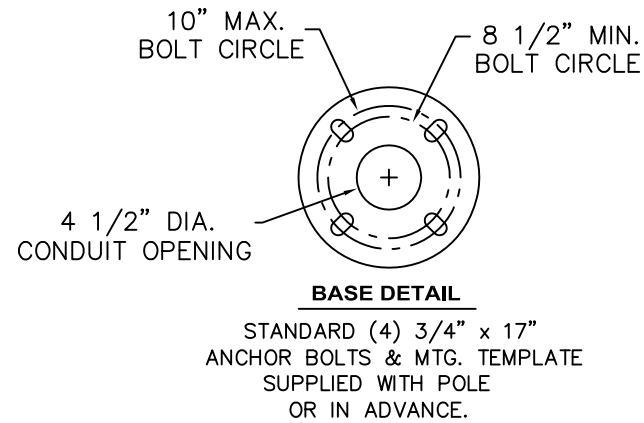
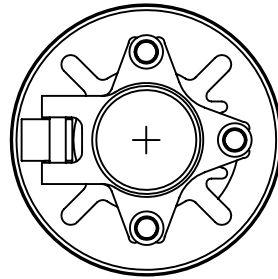


POLE BASE INCLUDES  
3/8"-16 TAPPED HOLE  
FOR GROUND CONNECTOR



**DISCLAIMER**

BEGA-US WARRANTS THE SPECIFIC ANCHOR BOLTS & POLE COMBINATION ACCORDING TO THE PRODUCT NUMBER(S) AND DESCRIPTION(S). STRUCTURAL CHANGES TO THE POLE REQUESTED BY THE CUSTOMER INCLUDING CHANGES TO POLE LENGTH, MAY AFFECT THE COMPATIBILITY OF THE ANCHOR BOLTS AND CORRESPONDING POLES. BEGA-US IS NOT RESPONSIBLE FOR THE INCOMPATIBILITY OF THE ANCHOR BOLTS AND POLES RESULTING FROM SUCH STRUCTURAL CHANGES WITHOUT REVIEW BY THE BEGA-US ENGINEERING DEPT. THIS INCLUDES, BUT IS NOT LIMITED TO; ANY LABOR CHARGES, CHARGES FOR REPLACEMENT MATERIALS AND SHIPPING.

SEE LUMINAIRE SPECIFICATION SHEET FOR ADDITIONAL DETAILS

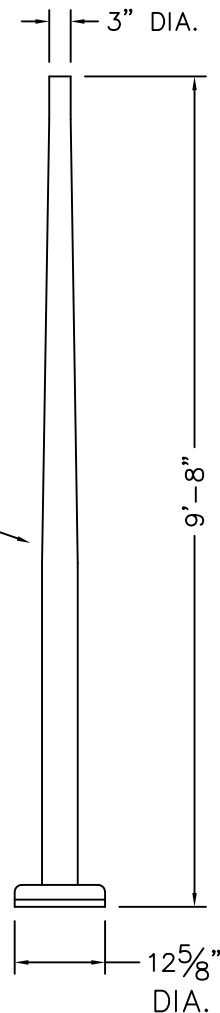
MAXIMUM EPA AT VARIOUS MPH, ALLOWS FOR 1.3 GUST FACTOR*						
POLE NO.	MPH -	70	80	90	100	120
0908HR	EPA -	18.1	13.2	10.0	7.7	4.8

\*PER AASHTO 1994 WIND MAP

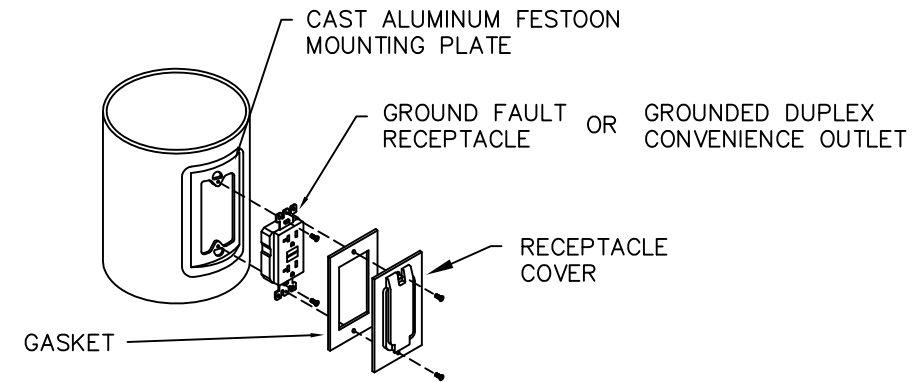
NOTE: DATA ABOVE ASSUMES GRADE LEVEL INSTALLATION AND A MAXIMUM LUMINAIRE WEIGHT OF 50 LBS.

CAUTION: RAISING OR LOWERING OF THE POLE REQUIRES ADEQUATE PREPERATION DO NOT UNDERESTIMATE THE FORCE REQUIRED TO RAISE OR LOWER POLES WITH HEAVY LUMINAIRES AT THE TOP.

3" TO 5" OD  
TAPERED ALUM.  
POLE W/HINGED  
BASE, BY BEGA



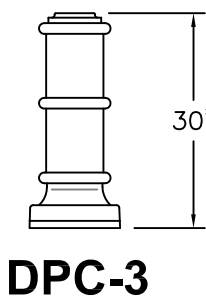
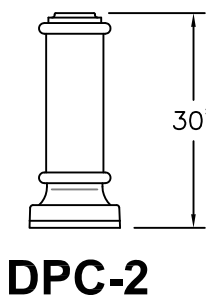
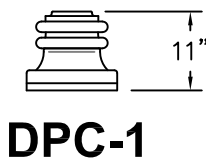
**POLE OPTIONS / ACCESSORIES:**



**NOTE:**

GFI COVERS PROVIDED ARE INTENDED FOR PORTABLE TOOLS OR OTHER PORTABLE EQUIPMENT CONNECTED TO THE OUTLET WHEN ATTENDED. WETLOCATION LISTED WHEN COVER IS CLOSED.

**RECEPTACLE OPTION**



**DECORATIVE POLE BASE COVERS (DPC)**

Catalog No.: 0908HR

Description: POLE - Aluminum Tapered 3" to 5" Dia. x 9'-8"

Drawn by: Bob Mc Date: 4/15/14 File Name: 0908HR

SCALE: NONE - DO NOT SCALE DRAWING

This print contains confidential information which is the property of BEGA/US. By accepting this information, the borrower agrees that it will not be used for any other purpose other than that which is loaned.

**BEGA**

1000 Bega Way  
Carpinteria, Ca. 93013  
(805) 684-0533